

FLEXFLO[®] A1F

Output rates up to 5.60 GPH (21.19 LPH)
Pressures up to 100 PSI (6.89 bar)
1,000:1 turndown ratio
Tube Failure Detection (TFD) system
Brushless DC motor
3-year warranty



*protective polycarbonate cover not shown



NEMA 4X

Exclusive:



Features

- ▶ Self-priming (even against maximum line pressure), which means no required bypass valves, and it cannot vapor lock or lose prime.
- ▶ Output rates up to 5.60 GPH (21.19 LPH).
- ▶ Pressure up to 100 PSI (6.89 bar).
- ▶ Brushless DC motor.
- ▶ Exclusive Tube Failure Detection (TFD+) system, which senses tube failure by detecting chemical in the pump head, shuts off the pump. No false triggering.
- ▶ Remote Start/Stop, which is one non-powered dry contact closure.
- ▶ Three-nylon, molded squeeze rollers for optimum squeeze, high accuracy, and long tube life.
- ▶ Heavy duty rotor that has a single piece, plastic rotor for no flexing, and high accuracy with no corroding metal springs or hinges.
- ▶ Chemical-resistant tubing capable of pumping bleach (sodium hypochlorite), calcium hypochlorite 20%, and muriatic acid (hydrochloric acid).
- ▶ Rated for continuous duty.
- ▶ Compatible with Blue-White Industries, Ltd.'s output Flow Verification Sensor (FVS) system.
- ▶ Relay outputs include a single 250V/ 3A and a single solid state
- ▶ Durable, protective, impact resistant polycarbonate cover.
- ▶ Reliable and easy to use M12 connections for inputs and outputs.

FLEXFLO[®] Peristaltic Metering Pump

Engineering and Technical Data

Engineering Specifications

| | |
|--|--|
| Maximum Working Pressure (Excluding pump tubes) ¹ | 100 PSI (6.89 bar) |
| Maximum Fluid Temperature | 185°F (85°C) |
| Maximum Viscosity | 5000 centipoise |
| Maximum Suction Lift | 30 ft. of water at sea level (14.7 atm psi) |
| Ambient Operating Temperature | 14°F to 125°F (-10°C to 52°C) |
| Ambient Storage Temperature | -40°F to 158°F (-40°C to 70°C) |
| Operating Voltage | 115V60Hz 1 PH (0.6A max.) 220V50Hz 1 PH (0.3A max.) 230V60Hz 1 PH (0.3A max.) 230V50Hz 1 PH (0.3A max.) 240V50Hz 1 PH (0.3A max.) |
| Power Cord Options | 115V50/60Hz = NEMA 5/15 (USA) 230V50/60Hz = NEMA 6/15 (USA) 220V50/60Hz = CEE 7/II (EU) 240V50/60Hz = AS 3112 (Australia/New Zealand) |
| Motor | Brushless DC, 50W. |
| Duty Cycle | Continuous |
| Motor Speed Adjustment Range | 1,000:1 (0.1% - 100%) |
| Enclosure | NEMA 4X (IP66), Valox [®] (PBT) & PA12 |
| Maximum Overall Dimensions | 7.25" W x 9" H x 10" D (18.5 W x 22.9 H x 25.2 D cm) |
| Product Weight | 6 lb. (2.7 Kg) |
| Approximate Shipping Weight | 13 lb. (5.9 Kg) |
| Approximate Shipping Dimensions | 10.5" W x 13.75" H x 11" D (26.7 W x 35 H x 28 D cm) |

Materials of Construction

Wetted Components

| | |
|--|---|
| Pump Tube Assembly | |
| Tubing | Flex-A-Prene [®] |
| Adapter Fittings | PVDF |
| Injection / Back-Flow Check Valve | |
| Body & Insert | PVDF |
| Check Ball | Ceramic |
| Spring | Hastelloy C-276 |
| Ball Seat O-Ring | TFE/P |
| Static Seal O-Ring | FKM |
| Ancillary Items Provided | |
| Suction Tubing | 3/8" OD x 1/4" ID x 5' Clear PVC |
| Discharge Tubing | 3/8" OD x 1/4" ID x 5' Polyethylene (LLDPE) |
| Suction Strainer | Polypropylene |
| Weight | Ceramic |

Non-Wetted Components

| | |
|--------------------------------|---|
| Enclosure | Valox [®] (PBT) & PA12 thermoplastic |
| Pump Head | Valox [®] (PBT) thermoplastic |
| Pump Head Cover | Polycarbonate for added strength and chemical resistance. Permanently lubricated sealed motor shaft support ball bearing. |
| Cover Screws | Stainless steel, polypropylene cap |
| Roller Assembly | |
| Rotor | Valox [®] (PBT) |
| Rollers | Nylon |
| Roller Bearings | Bronze |
| TFD System Sensor | Polysulfone (PES) |
| Power Cord | 3 conductor, SJTW-A water-resistant |
| Tube Installation Tool | GF nylon |
| Mounting Brackets and Hardware | 316 stainless steel screws GF nylon bracket |

FLEXFLO[®] Peristaltic Metering Pump

Engineering and Technical Data

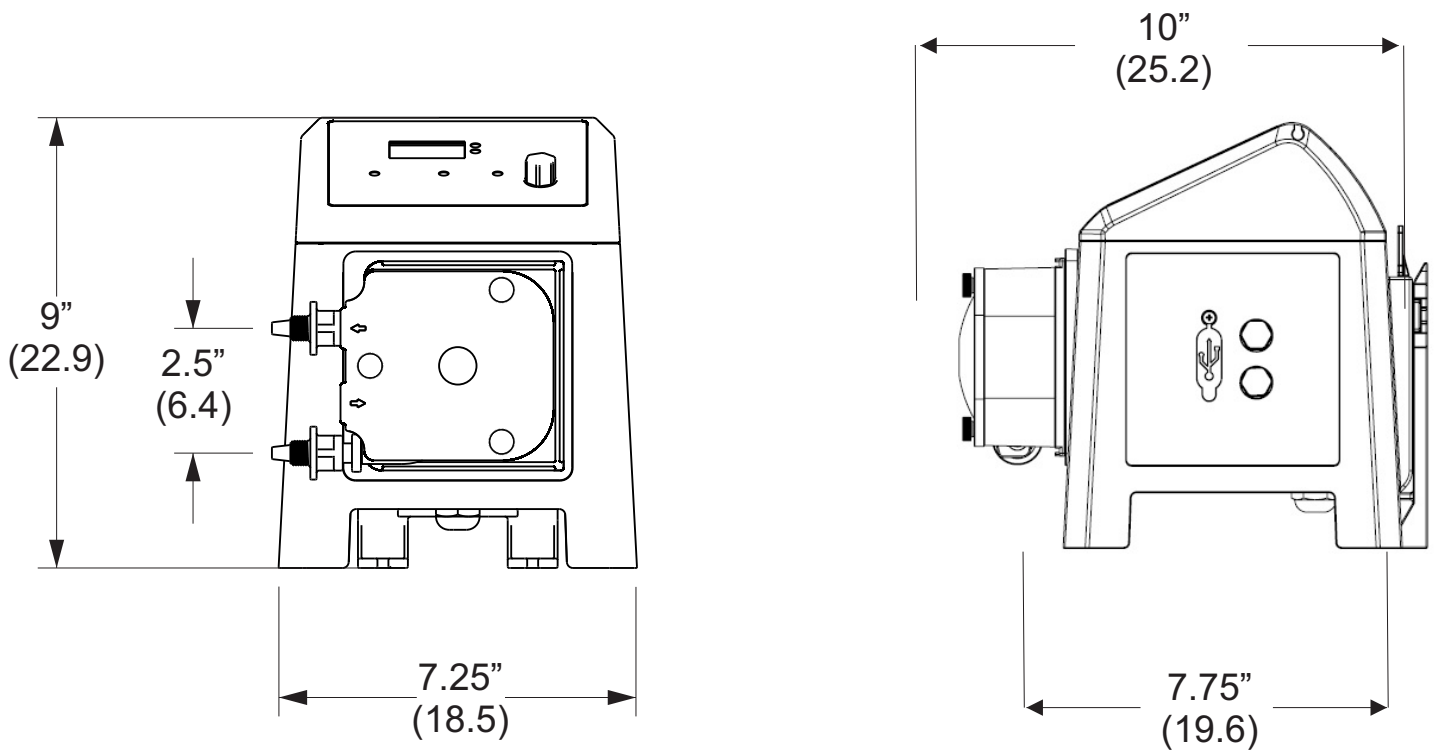
Output Specifications

| Tube Model | Feed Rate ² | | Maximum Pressure PSI (bar) ³ | Maximum Temperature °F (°C) ³ | A1F Model Numbers | | |
|------------|------------------------|----------------|--|---|----------------------|----------------------|----------------------|
| | GPH | LPH | | | 115V AC ⁴ | 230V AC ⁵ | 220V AC ⁵ |
| A1-6T | 0.0014 - 1.35 | 0.0051 - 5.14 | 100 (6.89) | 185 (85) | A1F4-6T | A1F5-6T | A1F6-6T |
| A1-7T | 0.0042 - 4.17 | 0.0158 - 15.78 | 50 (3.45) | | A1F4-7T | A1F5-7T | A1F6-7T |
| A1-1T | 0.0011 - 1.09 | 0.0041 - 4.13 | 65 (4.5) | 130 (54) | A1F4-1T | A1F5-1T | A1F6-1T |
| A1-3T | 0.0056 - 5.60 | 0.0212 - 21.19 | 50 (3.45) | | A1F4-3T | A1F5-3T | A1F6-3T |
| A1-8T | 0.0031 - 3.09 | 0.0117 - 11.70 | 50 (3.45) | 130 (54) | A1F4-8T | A1F5-8T | A1F6-8T |

NOTES:

- 1 - For optimum tube life, specify the pump to operate at the lowest possible feed rate and pressure.
- 2 - Meets FDA criteria for food
- 3 - Excellent chemical resistance
- 4 - Clean-in-place (CIP)
- 5 - Steam-in-place (SIP)

Dimensions



M12 connectors not included with product. Blue-White Industries recommends any A-Type M12 connector with 5 position female sockets

FLEXFLO[®] Peristaltic Metering Pump

Engineering and Technical Data

Model Number Matrix:

| FlexFlo [®] Model Number | | | | |
|---|---|----------|-----------|----------------------------|
| A1F | FlexFlo [®] Peristaltic Metering Pump | | | |
| Power Cord (Operating voltage requirement 96VAC to 264VAC) | | | | |
| 4 | 115V 50/60Hz, power cord NEMA 5/15 plug (US) | | | |
| 5 | 230V 50/60Hz, power cord NEMA 6/15 plug (US) | | | |
| 6 | 220V 50/60Hz, power cord CEE 7/V11 plug (EU) | | | |
| 8 | 240V 50/60Hz, power cord AS 3112 plug (Australia/New Zealand) | | | |
| 9 | 230V 50/60Hz, power cord BS 1363/A plug (United Kingdom) | | | |
| Pump Tube Size and Material | | | | |
| 1T | 1/4" OD Flex-A-Thane [®] | | | |
| 3T | 7/16" OD Flex-A-Thane [®] | | | |
| 6T | 3/8" OD Flex-A-Prene [®] | | | |
| 7T | 7/16" OD Flex-A-Prene [®] | | | |
| 8T | 7/16" OD Flex-A-Chem [®] | | | |
| A1F | 4 | - | 6T | Sample Model Number |