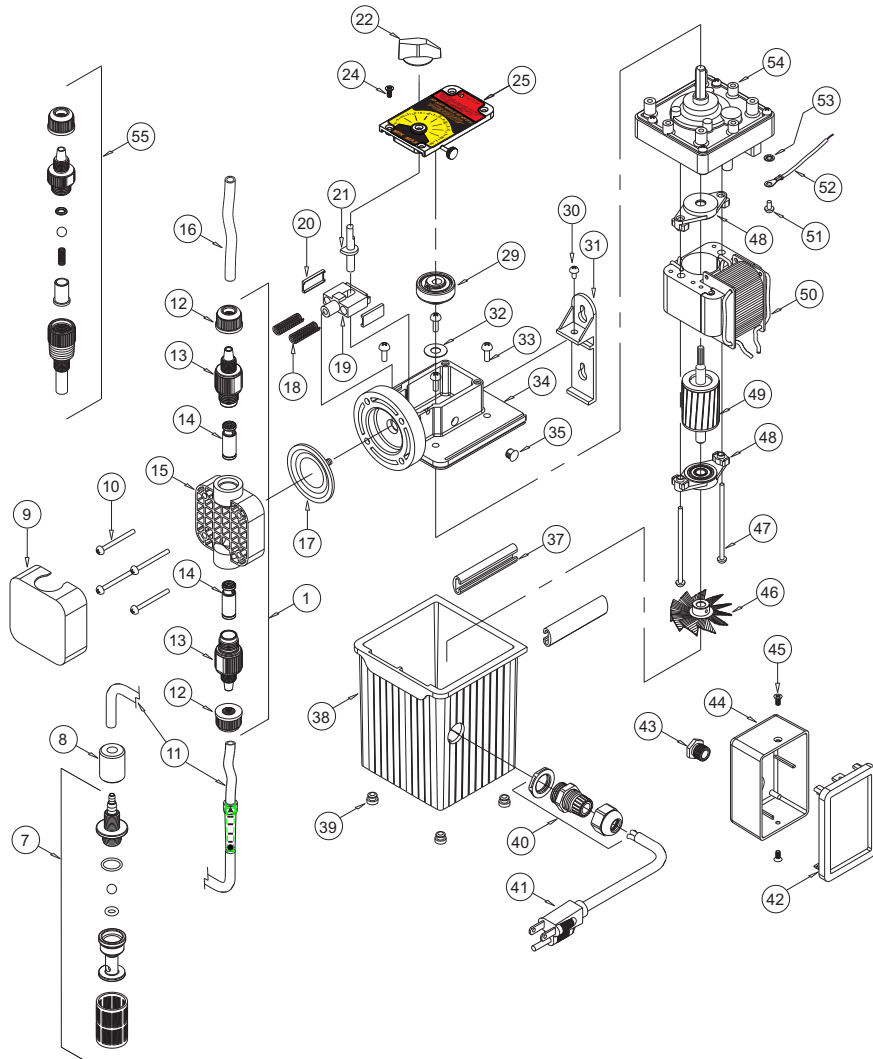


## Replacement Parts Drawing



## C-1500N PARTS LIST

Item	Part No	Description	Qty
1	C-535A6-6	Pumphead Kit, HDN Viton	1
	C-535A6-6E	Pumphead Kit, HDN EP	1
7	71000-324	FootValve S/A, C-340V, VT	1
	71000-325	FootValve S/A, C-340E, EP	1
8	90008-068	Ceramic weight, C-346	1
9	70004-074	Cover P/Head, HD Chem-Feed logo	1
	70004-071	Cover P/Head, HD Noir logo	1
	70004-086	Cover P/Head, HD Micro logo	1
	90011-141	Screw 10-32 x 1.25	4
11	70000-638	Tube Indicator Glass 3/8 x 5FT	1
	76000-171	Tube Suction 1/4 x 5FT	1
12	90002-077	Tube Nut, .25T, P.P.	2
	90002-047	Tube Nut, .37T, P.P.	2
13	71000-204	Adapter S/A Bullet .37T Viton	2
	71000-205	Adapter S/A Bullet .37T EP	2
	71000-224	Adapter S/A Bullet .37T Silicon	2
	71000-225	Adapter S/A Bullet .25T Viton	2
	71000-226	Adapter S/A Bullet .25T EP	2
	71000-227	Adapter S/A Bullet .25T Silicon	2
14	71000-195	Cartridge Bullet Valve S/A, Double-Ball	2
15	90002-146	P/Head Noir Molded, P.P.	1
16	76000-168	Tubing D/Charge, 3/8 x 5FT	1
	76000-169	Tubing D/Charge, 1/4 x 5FT.	1
17	70000-683	Diaphragm S/A 2.0 15N, Viton/TFE	1
	70000-682	Diaphragm S/A 2.0 15N, EP/TFE	1
	71000-058	Diaphragm S/A 1.6 15N, Viton/TFE	1
	71000-057	Diaphragm S/A 1.6 15N, EP/TFE	1
18	90006-006	Return Spring	2
19	76000-172	Stirr-up	1
20	90002-001	Slide Bearing	2
21	90001-132	Offset Cam #1 .125"	1
	90001-133	Offset Cam #2 .055"	1
	90001-134	Offset Cam #3 .187"	1
	90001-141	Offset Cam #4 .100"	1
22	90002-017	Dial Knob	1
24	90011-168	Screw #6 x .62 PH oval 'A'	4
25	C-1503N-3	Top Cover Assembly with bearing	1
29	70000-131	Drive Cam S/A #1 .125"	1
	70000-133	Drive Cam S/A #2 .055"	1
	70000-132	Drive Cam S/A #3 .187"	1
	70000-722	Drive Cam S/A #4 .100"	1