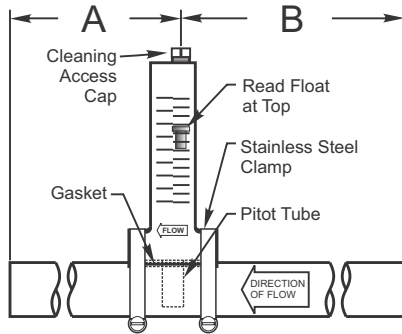


F-300 Flowmeter Installation Instructions



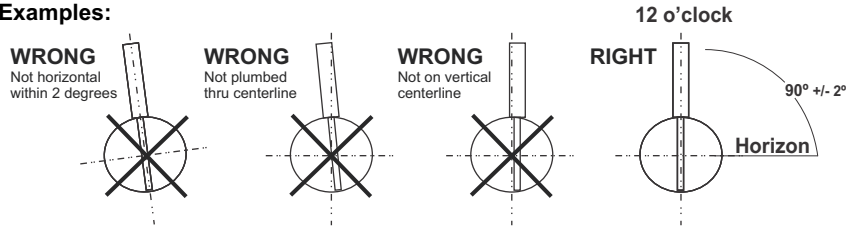
Dimension	Installation Length
A	Outlet pipe = 2 x Pipe I.D.*
B	Inlet pipe = 5 x Pipe I.D.*

* Minimum acceptable dimensions.
Must be straight horizontal piping.

Models w/ suffix "M" = PVC pipe, PN10 and Pn16

Installation: To prevent debris from entering the meter, install the flowmeter downstream from the filter if possible with at least the minimum straight pipe dimensions called for in the above drawing. Drill the pitot tube hole in the top (12 o'clock position) of the horizontal pipe. Carefully remove all burrs. Insert the pitot tube, with the gasket in place, into the drilled hole. Tighten the clamps alternately, a little at a time. Make certain the flow direction is towards the pitot tube opening.

Examples:



Flowmeter size	Drill size for pitot tube
32mm	16mm to 16.25mm
50mm	16mm to 16.25mm
63mm	16mm to 16.25mm
75mm	16mm to 16.25mm
90mm	16mm to 16.25mm

Note: Incorrect installation may result in a damaged pitot tube.

Troubleshooting: Should the meter fail to read, make certain the openings in the front and rear of the pitot tube are not clogged, that the pitot tube opening faces the direction of the flow, and that you have installed the meter on the correct IPS (ASTM-D-1785) type and size pipe. Note that the top of the float is the largest diameter.

Accuracy = +/- 10%

Max Temperature = 87.7°C / 190°F at 0 Bar (0 PSI)

Maximum Pressure = 10 bar (150 PSI)

Headloss = Maximum .07 Bar across all pipe sizes

Note: Pressure and temperature limits are inversely proportional

Blue-White® flowmeters are tested and calibrated for water only.

Blue-White®
Industries, Ltd.

Phone: 714-893-8529

Fax: 714-894-9492

E-mail: TechSupport@Blue-White.com

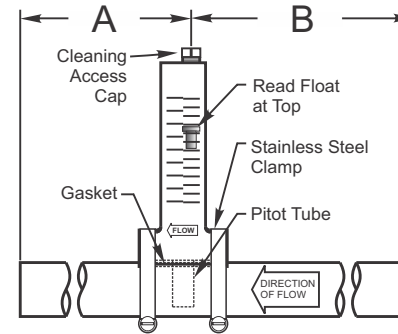
E-mail: Sales@Blue-White.com

web: www.blue-white.com

80000-592 rev 2
20180522

5300 Business Drive
Huntington Beach, CA 92649

F-300 Flowmeter Installation Instructions



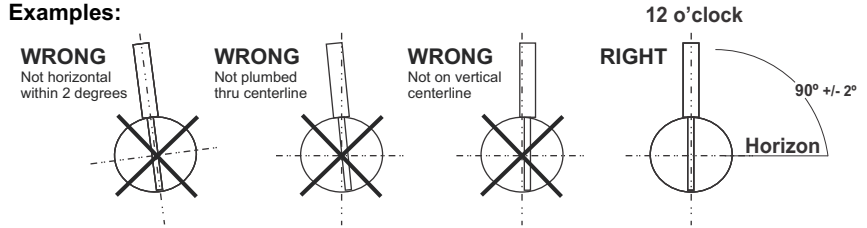
Dimension	Installation Length
A	Outlet pipe = 2 x Pipe I.D.*
B	Inlet pipe = 5 x Pipe I.D.*

* Minimum acceptable dimensions.
Must be straight horizontal piping.

Models w/ suffix "M" = PVC pipe, PN10 and Pn16

Installation: To prevent debris from entering the meter, install the flowmeter downstream from the filter if possible with at least the minimum straight pipe dimensions called for in the above drawing. Drill the pitot tube hole in the top (12 o'clock position) of the horizontal pipe. Carefully remove all burrs. Insert the pitot tube, with the gasket in place, into the drilled hole. Tighten the clamps alternately, a little at a time. Make certain the flow direction is towards the pitot tube opening.

Examples:



Flowmeter size	Drill size for pitot tube
32mm	16mm to 16.25mm
50mm	16mm to 16.25mm
63mm	16mm to 16.25mm
75mm	16mm to 16.25mm
90mm	16mm to 16.25mm

Note: Incorrect installation may result in a damaged pitot tube.

Troubleshooting: Should the meter fail to read, make certain the openings in the front and rear of the pitot tube are not clogged, that the pitot tube opening faces the direction of the flow, and that you have installed the meter on the correct IPS (ASTM-D-1785) type and size pipe. Note that the top of the float is the largest diameter.

Accuracy = +/- 10%

Max Temperature = 87.7°C / 190°F at 0 Bar (0 PSI)

Maximum Pressure = 10 bar (150 PSI)

Headloss = Maximum .07 Bar across all pipe sizes

Note: Pressure and temperature limits are inversely proportional

Blue-White® flowmeters are tested and calibrated for water only.

Blue-White®
Industries, Ltd.

Phone: 714-893-8529

Fax: 714-894-9492

E-mail: TechSupport@Blue-White.com

E-mail: Sales@Blue-White.com

web: www.blue-white.com

5300 Business Drive
Huntington Beach, CA 92649

80000-592 rev 2
20180522

Maintenance: The flowmeter body and all other parts can be cleaned by washing in a mild soap and water solution. A soft bristle brush will simplify cleaning inside the meter body. Note the float's up position for re-assembly.

Maximum Temperature = 87.8°C at 0 Bar (190°F at 0 PSI)

Maximum Pressure = 10 Bar at 21.1°C (150 psi at 70°F)

Accuracy = +/- 10%

Headloss = Maximum .07 Bar across all pipe sizes

Pressure and temperature limits are inversely proportional.

Disclaimer: We cannot guarantee our flowmeters will not be damaged either at or below the suggested limits simply because of many factors which influence meter integrity; stress resulting from meter misalignment, damage due to excessive vibration and/or deterioration caused by contact with certain chemicals as well as direct sunlight. These situations and others tend to reduce the strength of the materials from which the meters are manufactured. Flowmeters are tested and calibrated for water only. Although the meters may be suitable for other chemicals, Blue-White cannot guarantee their suitability.

Meters are suitable for indoor and outdoor use.

For more information visit our website at www.Blue-White.com

5300 Business Drive
Huntington Beach, CA 92649

Phone: 714-893-8529
Fax: 714-894-9492
E-mail: TechSupport@Blue-White.com
E-mail: Sales@Blue-White.com
web: www.blue-white.com

Blue-White[®]
Industries, Ltd.

Maintenance: The flowmeter body and all other parts can be cleaned by washing in a mild soap and water solution. A soft bristle brush will simplify cleaning inside the meter body. Note the float's up position for re-assembly.

Maximum Temperature = 87.8°C at 0 Bar (190°F at 0 PSI)

Maximum Pressure = 10 Bar at 21.1°C (150 psi at 70°F)

Accuracy = +/- 10%

Headloss = Maximum .07 Bar across all pipe sizes

Pressure and temperature limits are inversely proportional.

Disclaimer: We cannot guarantee our flowmeters will not be damaged either at or below the suggested limits simply because of many factors which influence meter integrity; stress resulting from meter misalignment, damage due to excessive vibration and/or deterioration caused by contact with certain chemicals as well as direct sunlight. These situations and others tend to reduce the strength of the materials from which the meters are manufactured. Flowmeters are tested and calibrated for water only. Although the meters may be suitable for other chemicals, Blue-White cannot guarantee their suitability.

Meters are suitable for indoor and outdoor use.

For more information visit our website at www.Blue-White.com

5300 Business Drive
Huntington Beach, CA 92649

Phone: 714-893-8529
Fax: 714-894-9492
E-mail: TechSupport@Blue-White.com
E-mail: Sales@Blue-White.com
web: www.blue-white.com

Blue-White[®]
Industries, Ltd.