

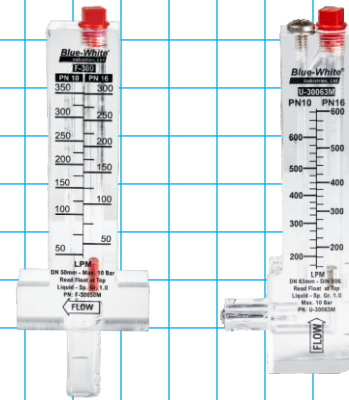
# F-300M

# U-300M

# D-300M

## Clamp-on Insertion Mount

## Dual PN10 / PN16 scale



### Features:

- Dual PN10/PN16 scale printed on both sides of the meter.
- 32mm through 200mm pipe sizes.
- Flow rates from 30 to 5100 LPM.
- Corrosion resistant 316SS, PTFE or PVDF internal float materials.
- One piece machined acrylic body.
- Mounts to existing pipe. No unions or adapters required.
- Models for mounting on horizontal pipe.
- Mounting clamps and gasket included.

### Specifications:

<b>Pipe Requirements:</b>	Metric pipe size(DIN 8062)	<b>Full Scale Accuracy:</b>	32mm, 50mm, 63mm, 75mm, 90mm +/- 5% all other +/- 10%
<b>Max. Bar (PSI):</b>	10.3 Bar (150 PSI) at 21° C (70° F)	<b>Power Requirement:</b>	No Power Required
<b>Fluid Temp Range:</b>	32° to 110° F/ 190° F (88° C) @ 0 PSI	<b>Enclosure:</b>	Ip56 (NEMA 4X)
<b>Ambient Temp Range:</b>	32° to 110° F/ -10° to 43° C	<b>Approximate Shipping Wt:</b>	32mm - 110mm units: 0.45kg (1lb) 110mm - 200mm units: 0.91kg (2lbs)
<b>Note:</b> Temperature & Pressure ratings for meter only. Actual pipe rating may vary.			

### Materials of Construction:

<b>Meter Body:</b>	Cast Acrylic	<b>Gasket:</b>	Neoprene	<b>Pitot Screw:</b>	40mm & Up/Down only - 300 Series Stainless Steel
<b>Float:</b>	Standard range models: PVDF or 316 SS	<b>Pipe Clamp:</b>	300 Series Stainless Steel		

### Installation Requirements:

#### Minimum Straight Pipe Length Requirements

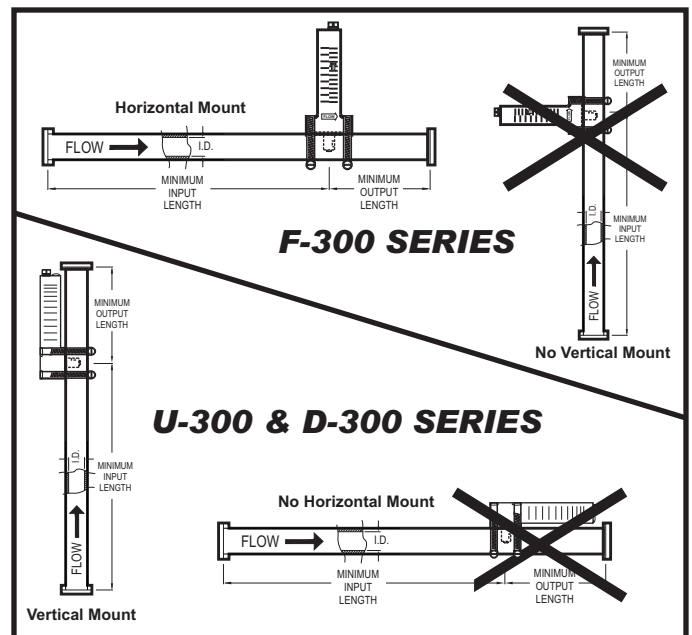
The meter's accuracy is affected by disturbances such as pumps, elbows, tees, valves, etc., in the flow stream. Install the meter in a straight run of pipe as far as possible from any disturbances. The distance required for accuracy is 10 times the nominal pipe diameter before the meter and 4 times the nominal pipe diameter after the meter. Note: 32mm, 50mm, 63mm, 75mm, and 90mm models require only 5 times the nominal pipe diameter before the meter and 2 times after.

#### Example of Minimum Straight Pipe Length Requirements

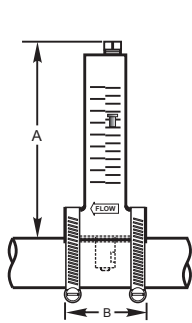
Nominal Pipe Diameter	Minimum Inlet Pipe Length	Minimum Outlet Pipe Length
32mm	160mm (5x32mm)	64mm (2x32mm)
63mm	315mm (5x63mm)	126mm (2x63mm)
160mm	1600 (10x160mm)	640mm (4x160mm)

#### Mounting location

- The meter is designed to withstand outdoor conditions.
- F-300M series meters must be mounted at the vertical (twelve o'clock) position on horizontal pipe only.
- The pipe must be completely full of water at all times.
- See the minimum straight length of pipe requirement chart above.
- The meter can accurately measure flow from one direction only.

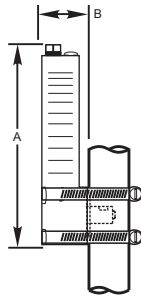


### Dimensions:



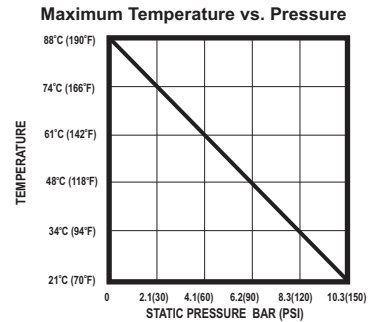
F-300 Series			
Pipe Size	A	B	
32	110	62	
40	110	62	
50	110	62	
63	110	62	
75	110	62	
90	110	62	
110	110	62	
160	108	62	
200	108	62	

Millimeters



U/D-300 Series			
Pipe Size	A	B	
50	152	40	
63	152	40	

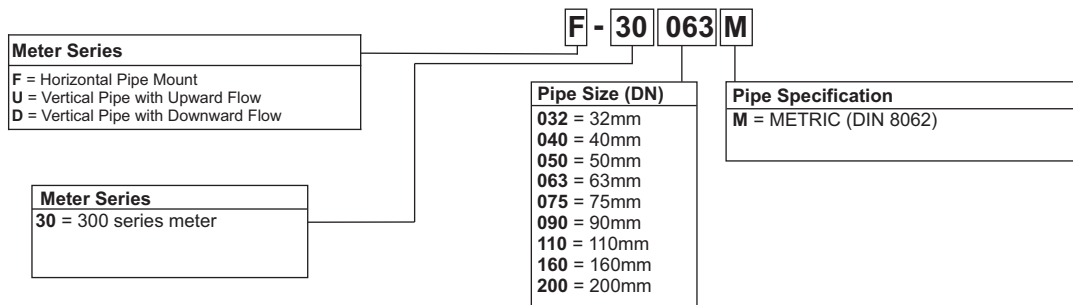
Millimeters



### Flow Stream Requirements:

Low viscosity fluids with a specific gravity of 1.0.

### Model Number Matrix:



### Pipe Size, Flow Range and Display Model Options:

#### Models for METRIC Pipe (DIN 8062)

Display in Liters per Minute for Pn10 and PN 16 pipe

#### Horizontal Mount

DN Pipe	LPM		Model Number
	PN10 Range	PN16 Range	
32mm	30 to 150	30 to 130	F-30032M
40mm	70 to 310	60 to 270	F-30040M
50mm	50 to 350	50 to 300	F-30050M
63mm	100 to 475	75 to 400	F-30063M
75mm	150 to 700	150 to 600	F-30075M
90mm	200 to 850	200 to 800	F-30090M
110mm	600 to 1800	550 to 1600	F-30110M
160mm	900 to 3200	800 to 2800	F-30160M
200mm	1500 to 5100	1300 to 4500	F-30200M

#### Vertical Mount

DN Pipe	LPM		Model Number
	PN10 Range	PN16 Range	
50mm	100 to 450	100 to 400	U-30050M
63mm	175 to 675	150 to 600	U-30063M
50mm	100 to 450	100 to 400	D-30050M
63mm	175 to 675	150 to 600	D-30063M