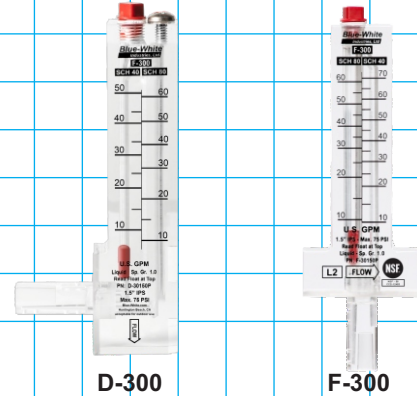


F-300 U-300 D-300

Clamp-on Insertion Mount



Features:

- 1" through 8" pipe sizes.
- Flow rates from 4 to 1900 GPM.
- Resistant PVDF internal float materials.
- One piece machined acrylic body.
- Mounts to existing pipe. No unions or adapters required.
- Models for mounting on horizontal or vertical pipe.
- Mounting clamps and gasket included.
- NSF Listed

Specifications:

Pipe Requirements	IPS inch pipe size (ASTM-D-1785)	Accuracy	1", 1.25", 1.5" and 2" pipe size: 5% of rate 2.5", 3", 4", 6", and 8" pipe size: 10% of rate
Max PSI (bar)	75 PSI (5.2 bar) at 70°F (21°C)	Power Requirement	No Power Required
Fluid Temp Range	0° to 190°F / -18 to 88°C @ 0 PSI	Enclosure	NEMA 4X (IP56)
Ambient Temp Range	0° TO 110°F / -18 TO 43°C	Approximate Ship Wt	1" - 4" units: 1lb (.45kg) 6" - 8" units: 2lb (.91kg)

Note: Temperature and Pressure ratings for meter only. Actual pipe rating may vary.

Materials of Construction:

Meter Body	Cast Acrylic	Gasket	Neoprene
Float	PVDF	Pipe Clamp	316 Series Stainless Steel

Installation Requirements:

Minimum Straight Pipe Length Requirements

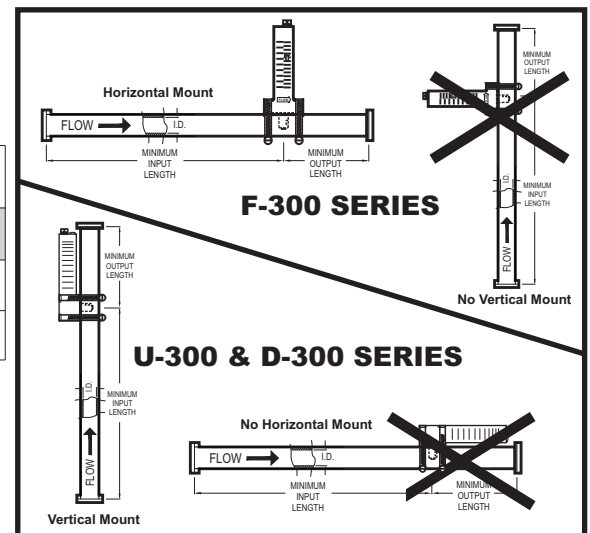
The meter's accuracy is affected by disturbances such as pumps, elbows, tees, valves, etc., in the flow stream. Install the meter in a straight run of pipe as far as possible from any disturbances.

EXAMPLE OF MINIMUM STRAIGHT PIPE LENGTH

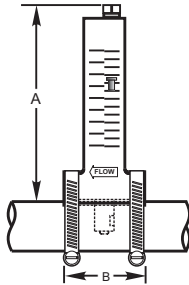
Nominal Pipe Diameter	Minimum Inlet Pipe Length	Minimum Outlet Pipe Length
4 inch	20 inch (5" x 4")	8 inch (2" x 4")
6 inch	30 inch (5" x 6")	12 inch (2" x 6")

Mounting location

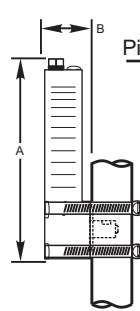
- The meter is designed to withstand outdoor conditions.
- F series meters must be mounted at the vertical (twelve o'clock) position on horizontal pipe only.
- U & D series meters must be mounted on vertical pipe only.
- The pipe must be completely full of water at all times.
- See the minimum straight length of pipe requirement chart above.
- The meter can accurately measure flow from one direction only.
- U-series meters measure upward flows only.
- D-series meters measure downward flows only.



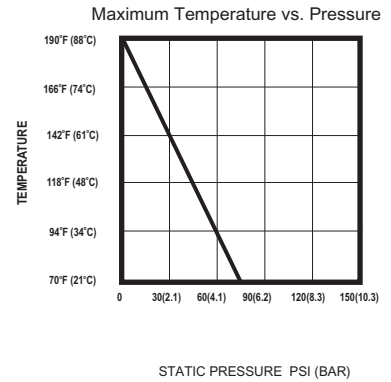
Dimensions:



F-300 Series		
Pipe Size	A	B
1"	6"	2-7/16"
1-1/4"	6"	2-7/16"
1-1/2"	6"	2-7/16"
2"	6"	2-7/16"
2-1/2"	6"	2-7/16"
3"	6"	2-7/16"
4"	6"	2-7/16"
6"	7-1/2"	2-7/16"
8"	7-1/2"	2-7/16"



U/D-300 Series		
Pipe Size	A	B
1-1/2"	6"	1-9/16"
2"	6"	1-9/16"



Flow Stream Requirements:

Low viscosity fluids with a specific gravity of 1.0.

Model Number Matrix:

Meter Series

F = Horizontal Pipe Mount
U = Vertical Pipe with Upward Flow
D = Vertical Pipe with Downward Flow

Meter Series

30 = 300 series meter

F - 30 600 P

Pipe Size

100 = 1"
125 = 1-1/4"
150 = 1-1/2"
200 = 2"
250 = 2-1/2"
300 = 3"
400 = 4"
600 = 6"
800 = 8"

Pipe Size, type and saddle material

P = Sch 40 or 80 IPS Pipe (ASTM-D-1785)

Note: see available models below.

Pipe Size, Flow Range and Display Model Options:

Models for Mounting on Horizontal Pipe

Models for U.S. IPS Sch40 & 80 Pipe (ASTM 1785)

Display in U.S. Gallons per Minute

Pipe Size	Sch40	Sch80	Model Number
1"	5 to 35	4 to 26	F-30100P
1-1/4"	9 to 50	8 to 40	F-30125P
1-1/2"	10 to 70	10 to 60	F-30150P
2"	20 to 120	18 to 100	F-30200P
2-1/2"	29 to 150	25 to 130	F-30250P
3"	45 to 240	40 to 215	F-30300P
4"	75 to 420	70 to 400	F-30400P
6"	170 to 1100	160 to 1000	F-30600P
8"	300 to 2200	275 to 1950	F-30800P

Models for Mounting on Vertical Pipe

Models for U.S. IPS Sch40 & 80 Pipe (ASTM 1785)

Display in U.S. Gallons per Minute

Pipe Size	Sch40	Sch80	Flow Direction	Model Number
1-1/2"	10 to 60	10 to 50	UP	U-30150P
1-1/2"	10 to 60	10 to 50	DOWN	D-30150P
2"	20 to 110	20 to 100	UP	U-30200P
2"	20 to 110	20 to 100	DOWN	D-30200P