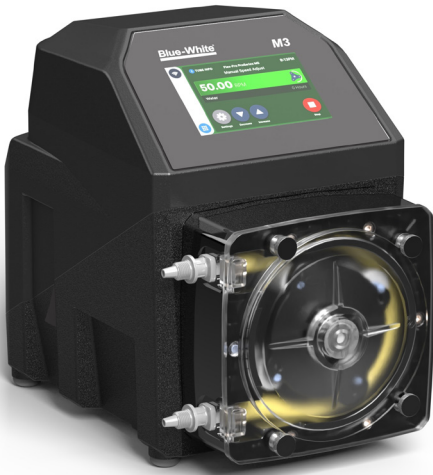


M3

FLEXFLO® Peristaltic Metering Pump



Features

- > 5" touchscreen color LCD display
- > User-friendly configurations
- > Self priming peristaltic metering pump delivers smooth chemical feed
- > Tube Failure Detection (TFD) system senses tube failure
- > Inputs include: 4-20mA, Pulse Inputs, Industrial Protocols, Remote Start/Stop

Video link: 



NEMA 4X

Highlights

Flow range

.0002 - 33.3 GPH
.0007 - 126 LPH

Pressures

125 PSI
(8.6 bar)

Turndown ratio

10,000 : 1

Exclusive

Tube Failure Detection (TFD)

Motor

Brushless DC Motor

Warranty

5 Years

Control Methods

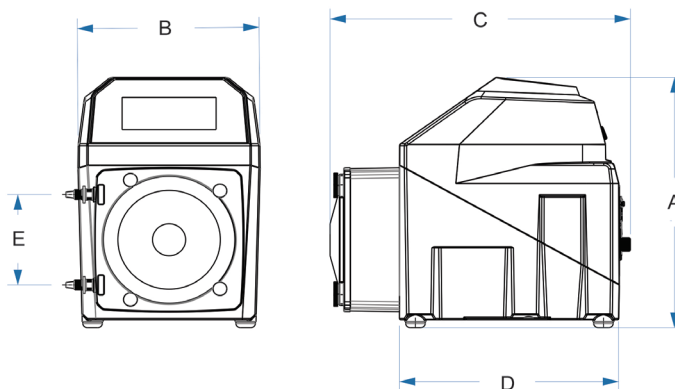
| Control Methods | Manual Control | 4-20mA Input | Remote Start/Stop | Pulse Input | Frequency Input | Ethernet/IP | Modbus TCP/IP | Profibus | Alarm Outputs |
|-----------------|----------------|--------------|-------------------|-------------|-----------------|-------------|---------------|----------|---------------|
| M3 | • | • | • | • | • | • | • | • | • |



| | |
|---|--|
| Maximum Working Pressure (excluding pump tubes) | 125 psig (8.6 bar) NOTE: See individual pump tube assembly maximum pressure ratings. |
| Maximum Fluid Temperature (excluding pump tubes) | 185 °F (85 °C) NOTE: See individual pump tube assembly max. temperature ratings. |
| Maximum Viscosity | 12,000 Centipoise |
| Maximum Suction Lift | 30 ft. Water, 0 psig (9.14 m, 0 bar) |
| Ambient Operating Temperature | 14 °F to 115 °F (-10 °C to 46 °C) |
| Ambient Storage Temperature | -40 °F to 158 °F (-40 °C to 70 °C) |
| Operating Voltage | 115VAC/60Hz, 1ph (2.0 Amp Maximum) |
| | 230VAC/60Hz, 1ph (1.0 Amp Maximum) |
| | 220VAC/50Hz, 1ph (1.0 Amp Maximum) |
| | 240VAC/50Hz, 1ph (1.0 Amp Maximum) |
| | 230VAC/50Hz, 1ph (2.0 Amp Maximum) |
| Power Cord Options | 115V60Hz = NEMA 5/15 (USA) |
| | 230V60Hz = NEMA 6/15 (USA) |
| | 220V50Hz = CEE 7/VII (EU) |
| | 240V50Hz = AS 3112 (Australia/New Zealand) |
| | 230V50Hz = BS 1363/A (UK) |
| Motor | Brushless DC, 1/4 hp |
| Motor Speed Adjustment Range | 10,000:1 (0.01% - 100% motor speed) Max RPM = 125 |
| Motor Speed Adjustment Resolution | 0.1% increments > 1% motor speed and < 100% |
| | 0.01% increments < 1% motor speed |
| Display | 5" touchscreen color LCD, UV resistant. |
| Display Languages | English, Spanish, French, German, and Portuguese selectable |
| Maximum Overall Dimensions | 8-1/4"W x 11-3/4"H x 13-1/4"D (20.9W x 29.8H x 34.5D cm) |
| Product Weight | 25.4lb. (11.5 Kg) |
| Security | Programmable 6-digit password |
| Approximate Shipping Weight | 30 lb. (13.6 Kg) |
| Enclosure | NEMA 4X (IP66), Polyester powder coated aluminum & Noryl |
| RoHS Compliant | Yes |
| Standards | cETLus, CE, NSF61 |

Dimensions

| Dim | Inch | cm | Dim | Inch | cm |
|-----|---------|------|-----|---------|------|
| A | 11-3/4" | 29.8 | D | 10-1/2" | 26.5 |
| B | 8-1/4" | 20.9 | E | 4-1/4" | 10.8 |
| C | 13-1/2" | 34.5 | | | |



Materials of Construction

M3

| |
|--|
| Non-wetted Components: |
| Enclosure: 413 Aluminum (Polyester powder coated) & Noryl |
| Pump Head: Valox® (PBT) thermoplastic |
| Pump Head Cover: Polycarbonate |
| Permanently lubricated sealed motor shaft support ball bearing. |
| Cover Screws: Stainless steel, polypropylene cap |
| Roller Assembly: |
| Rotor: Valox® (PBT) |
| Rollers: Nylon |
| Roller Bearings: SS Ball bearings |
| Motor Shaft: Chrome plated steel |
| TFD System Sensor: Hastelloy C-276 |
| Power Cord: 3 conductor, SJTW-A water-resistant |
| Tube Installation Tool: GF nylon |
| Mounting Brackets and Hardware: 316 Stainless steel |

| |
|--|
| Wetted Components: |
| Pump Tube Assembly: |
| Tubing: Flex-A-Prene®, Flex-A-Chem® or Flex-A-Thane® |
| Adapter Fittings: PVDF |

Output Specifications

| | Feed Rate | | Max Speed | Max Pressure | Max Temperature | Tube Material / Size |
|------------------------------------|--------------|--------------|-----------|--------------|-----------------|----------------------|
| | GPH | LPH | RPM | PSI (bar) | °F (°C) | |
| Flex-A-Prene® M3 Tube Pumps | | | | | | |
| .0002 - 2.10 | .0007 - 7.92 | .0132 - 132 | 125 | 125 (8.6) | 185 (85) | ND |
| .0025 - 25.3 | .0096 - 96.0 | .1596 - 1596 | 125 | 125 (8.6) | 185 (85) | NJ |
| .0033 - 33.3 | .0126 - 126 | .2100 - 2100 | 125 | 125 (8.6) | 185 (85) | NK |
| .0033 - 33.3 | .0126 - 126 | .2100 - 2100 | 125 | 30 (2.1) | 185 (85) | NKL |
| .0004 - 4.76 | .0018 - 18.0 | .03 - 300 | 125 | 110 (7.6) | 185 (85) | NEE |
| .0019 - 19.02 | .0072 - 72.0 | .12 - 1200 | 125 | 110 (7.6) | 185 (85) | NGG |
| Flex-A-Chem® M3 Tube Pumps | | | | | | |
| .0015 - 15.06 | .0057 - 57.0 | .0950 - 950 | 125 | 50 (3.4) | 130 (54) | TH |
| .0028 - 28.5 | .0108 - 108 | .18 - 1800 | 125 | 50 (3.4) | 130 (54) | TK |
| Flex-A-Thane® M3 Tube Pumps | | | | | | |
| .0004 - 4.60 | .0017 - 17.4 | .0290 - 290 | 125 | 65 (4.5) | 130 (54) | GE |
| .0010 - 10.1 | .0038 - 38.4 | .0637 - 637 | 125 | 65 (4.5) | 130 (54) | GG |
| .0024 - 24.9 | .0094 - 94.2 | .1570 - 1570 | 125 | 65 (4.5) | 130 (54) | GH |
| .0028 - 28.5 | .0108 - 108 | .1800 - 1800 | 125 | 65 (4.5) | 130 (54) | GK |
| .002 - 18.23 | .007 - 69.0 | .115 - 1150 | 125 | 65 (4.5) | 130 (54) | G2G |

Model Number Matrix

Model Number Model Number

| | | | | | | | | |
|--|---|------------|---|------------|-----------------------|-----------|----------|----------------------------|
| M3 | FLEXFLO® Peristaltic metering pump | | | | | | | |
| Power Cord (operating voltage user selectable 115V/240 Vac 50/60Hz) | | | | | | | | |
| 4 | 115V / 60Hz, power cord NEMA 5/15 plug (US) | 8 | 240V / 50HZ, power cord AS 3112 plug (AU/New Zealand) | | | | | |
| 5 | 230V / 60Hz, power cord NEMA 6/15 plug (US) | 9 | 230V / 50HZ, power cord BS 1363/A plug (UK) | | | | | |
| 6 | 220V / 50HZ, power cord CEE 7/VII plug (EU) | X | No Power Cord | | | | | |
| Inlet/Outlet Connection Size, Connection Type, Connection Material | | | | | | | | |
| S | 3/8" OD x 1/4" ID Tube Compression Fitting, Natural PVDF (Kynar) | C | 1/2" - 3/4" Tri-clamp connections, Natural PVDF (Kynar), available for ND, NEE, NGG, and G2G only | | | | | |
| M | 1/2" Male NPT Fitting, Natural PVDF (Kynar) | Q | Quick Disconnect, Natural PVDF (Kynar), available for ND, NEE, NGG, and G2G only (valves sold separately) | | | | | |
| B | 1/2" Hose Barb, Natural PVDF (Kynar), available for ND, NEE, NGG, and G2G only | MB | 1/2" Male BSPT Fitting, Natural PVDF (Kynar) | | | | | |
| Pump Tube Material, Pump Tube Size, Output Range | | | | | | | | |
| ND | Flex-A-Prene® .078 ID | NJ | Flex-A-Prene® .312 ID | G2G | Flex-A-Thane® .187 ID | | | |
| NF | Flex-A-Prene® .150 ID | NK | Flex-A-Prene® .375 ID | GH | Flex-A-Thane® .250 ID | | | |
| NEE | Flex-A-Prene® .093 ID | NKL | Flex-A-Prene® .375 ID | GK | Flex-A-Thane® .375 ID | | | |
| NGG | Flex-A-Prene® .187 ID | GE | Flex-A-Thane® .125 ID | TH | Flex-A-Chem® .250 ID | | | |
| NH | Flex-A-Prene® .25 ID | GG | Flex-A-Thane® .187 ID | TK | Flex-A-Chem® .375 ID | | | |
| NHL | Flex-A-Prene® .25 ID | | | | | | | |
| Options (leave this blank for standard model with left facing pump head inlet/outlet) | | | | | | | | |
| R | Right facing pump head, input / output (Left facing fluid input / output is standard) | | | | | | | |
| D | Down facing pump head, input / output (Left facing fluid input / output is standard) | | | | | | | |
| M3 | S | 2 | 4 | - | S | ND | R | Sample Model Number |

Accessories

NOTE: For use with the Quick Disconnect Flex-A-Prene® Tube Assembly. Kits sold separately.



*KIT-QSV FKM O-RINGS /
*KIT-QSE EP O-RINGS



*KIT-QBV FKM O-RINGS /
*KIT-QBE EP O-RINGS



*KIT-QMV FKM O-RINGS /
*KIT-QME EP O-RINGS



*KIT-M12-3 THREE M12 CABLES