

MS6

SONIC-PRO® Chemical Feed Flow Meter



Features

- > Inline pipe fittings for easy installation
- > Isolated 4-20 mA output - fully configurable
- > Process control via configurable solid state relay
- > User configurable flow rate and total set-point triggers
- > True unions for ease of maintenance

Video link: 



NEMA 4X

Highlights

Flow rate

10 - 10,000 mL/min
.158 - 158.5 GPH

Pressures

200 PSI
(13.8 bar)

Body material

PVDF

Pipe sizes

½" Barb, ½" M/NPT,
½" PVC slip

Display options

Remote mount or
meter mount

Warranty

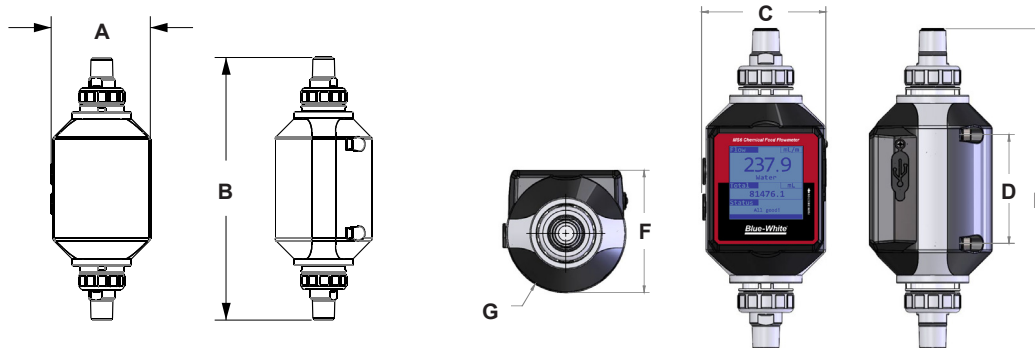
5 Years



General Operation		Electronics / Hardware SPU(Signal Processing Unit):	
Compatible Fluid Types	Acoustically conductive fluids, particulate and bubbles with 50,000 ppm or less	Power Requirements	5 VDC; 5 watts maximum
	Water	Operating Temp.	14 °F to 104 °F (-10 °C to 40 °C)
Pre-Calibrated Chemical Profiles	Aqueous Ammonia 10%	Storage Temp.	-40 °F to 158 °F (-40 °C to 70 °C)
	Ammonium Hydroxide 30%	Relative Humidity	0% - 90%
	Ferric Chloride 40%	Volume Units	Independently configurable Rate and Total units in: U.S. Gallons, Liters, or Milliliters.
	Sodium Bisulfite 40%	Time Units	Seconds, minutes, hours, days.
	Sodium Hypochlorite 12.5%	Flow Rate Averaging	Selectable: 1, 4, 8, 16, and 32 seconds.
	Sodium Permanganate 40%	Data Outputs	Isolated 4-20 mA output - fully configurable
	Hydrofluorosilicic Acid 25%		0-1,000 Hz Pulse output - fully configurable
	Ammonium Sulfate 10%	Display	Type: Liquid Crystal Display
Blue-Central® Software:		Backlight: White LED backlight	
Compatible Operating Systems	Windows 10	Software Language	English
	Mac (OSX 10.11/10.12/10.13)		One Solid State Relay
Software Features	Configurable 4-20ma, Pulse Output, Frequency Output,		Load capacity: 24VDC, 100mA max (ex. supplied)
	Solid State Relay Set-Point	Process Control	Configure to flow rate for high/low/range rate trigger. Programmable release values enable auto release or manual latching operation.
	Monitor flow rate in real time		Configure to flow total for automatically triggered, timed batch operations for proportional feed applications.
	Monitor total volume in real time		U.S. Transformer, 115VAC 60HZ / 15VDC, NEMA 5/15 plug
	Monitor meter diagnostics		Europe Transformer, 230VAC 50HZ / 15VDC, CEE 7/V11 plug
Computer Connector	Field Upgradable Firmware	Power Supply (user configurable)	AU/ New Zealand Transformer, 240VAC 50HZ / 15VDC, AS 3112 plug
	Factory Resettable	Includes each of the following:	U.K. Transformer, 230VAC 50Z / 15VDC, BS 1363/A plug
	USB-C (USB-A to USB-C cable included)	Enclosure	NEMA 4X (IP66)
		RoHS Complaint	Yes
		Standards	NSF/ANSI

Dimensions

Dim	Inch	cm
A	3.8"	9.7
B	10.0"	25.4
C	3.9"	9.9
D	3.4"	8.6
E	10.02"	25.5
F	3.8"	9.7
G	3.7"	9.4



Remote Mount Display Meter Body

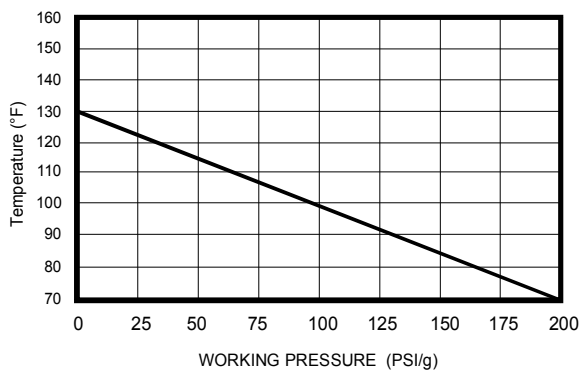
Meter Mount Display Meter Body

Wetted Components:

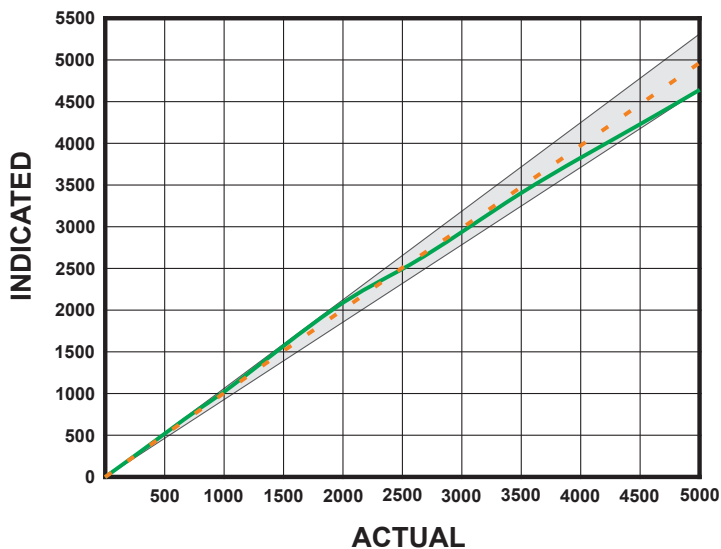
Transducer:	PEEK
Body:	PVDF & PEEK
O-Rings:	TFE/P (optional EP)
	PVDF 1/2" I.D. Barb
	PVDF 1/2" I.D. Barb Elbow
Fittings (Included):	PVDF 1/2" M/NPT
	PVDF 1/2" M/NPT Elbow
	PVC 1/2" Slip

Performance

TEMPERATURE VS PRESSURE

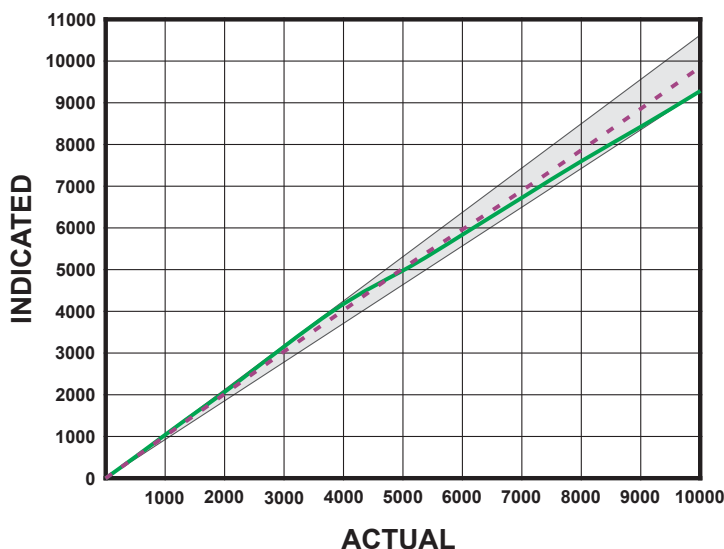


MS-61 ACCURACY RANGE



— 12.5% Sodium Hypochlorite
 - - - 25% Fluorosilicic acid

MS-62 ACCURACY RANGE



— 12.5% Sodium Hypochlorite
 - - - Sodium Permanganate

Model Number Matrix

MS6

Chemical Meter Model Number

MS6	MS6 Chemical Feed Flow Meter				
Flow Range					
1	10-5000 mL/min (0.158-79.2 GPH)				
2	100-10000 mL/min (1.58 -158.5 GPH)				
Display Options					
1	Remote Mount Display				
2	Meter Mount Display				
Elastometer Material (O-Ring)					
V	TFE/P				
E	EP				
MS6	1	1	V	X	Sample Model Number

Display Options

