

A1

FLEXFLO® Peristaltic Metering Pump



Features

- > Tube Failure Detection (TFD+) senses tube rupture
- > Heavy duty display shield protects pump controls
- > Relay outputs include a single 250V/3A and a single solid state
- > Remote Start/Stop
- > SCADA 4-20mA Input



Highlights

Flow range

0.001 – 5.60 GPH
0.002 – 21.2 LPH

Pressures

100 PSI
(6.89 bar)

Turndown ratio

2,000 : 1

Exclusive

Tube Failure Detection
(TFD+) System

Motor

Brushless
DC

Warranty

3 Years

Control Methods

Control Methods	Manual Control	4-20mA Input	Remote Start/Stop	Alarm Output	FVS	Motor Status Output
A1F	•		•	•	•	•
A1V		•	•	•	•	•



Engineering Specifications

A1

Maximum Working Pressure	100 psig (6.89 bar)
Maximum Fluid Temperature	185 °F (85 °C)
Maximum Ambient Temperature	14 °F to 115 °F/ -10 °C to 46 °C
Maximum Viscosity	5,000 Centipoise
Maximum Suction Lift	30 ft. Water at sea level (14.7 atm psi)
Operating Voltage	115V60Hz 1 PH (0.6A max.)
	220V50Hz 1 PH (0.3A max.)
	230V60Hz 1 PH (0.3A max.)
	230V50Hz 1 PH (0.3A max.)
	240V50Hz 1 PH (0.3A max.)
Power Cord Options	115V60Hz = NEMA 5/15 (USA)
	230V60Hz = NEMA 6/15 (USA)
	220V50Hz = CEE 7/VI (EU)
	240V50Hz = AS 3112 (Australia/New Zealand)
230V50Hz = BS 1363/A (UK)	
Motor	Brushless DC, 50W
Duty Cycle	Continuous
Motor Speed Adjustment Resolution	2,000 : 1 (0.05 - 100%) Max rpm = 65 rpm
Maximum Overall Dimensions	7.25" W x 9" H x 10" D (18.5 W x 22.9 H x 25.2 D cm)
Product Weight	6 lb. (2.7 Kg)
Approximate Shipping Weight	13 lb. (5.9 Kg)
Approximate Shipping Dimensions	10.5" W x 13.75" H x 11" D (26.7 W x 35 H x 28 D cm)
Enclosure	NEMA 4X (IP66), Valox® (PBT) & PA12
RoHS Compliant	Yes
Standards	cETLus, CE

Materials of Construction

A1

Non-wetted Components:	
Enclosure:	Valox® (PBT) & PA12
Pump Head:	Valox® (PBT)
Pump Head Cover:	Acrylic Permanently lubricated sealed motor shaft support bronze sleeve bearing.
Cover Screws:	Stainless steel, polypropylene cap
Roller Assembly:	Rotor: Valox® (PBT) Rollers: Nylon Roller Bearings: Bronze
Motor Shaft:	Chrome plated steel
TFD System Sensor:	Polysulfone (PES)
Power Cord:	3 Conductor, SJTW-A water-resistant
Tube Installation Tool:	GF Nylon
Mounting Brackets and Hardware:	316 Stainless steel screws, GF Nylon bracket

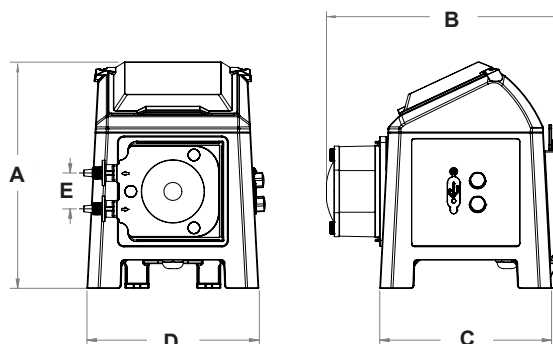
Wetted Components:	
Pump Head Assembly:	Tubing: Flex-A-Prene®, Flex-A-Thane® or Flex-A-Chem® Adapter Fittings: PVDF Body & Insert: PVDF Check Ball: Ceramic
Injection / Back-Flow Check Valve:	Spring: Hastelloy C-276 Ball Seat O-Ring: TFE/P Static Seal O-Ring: FKM
Ancillary Items Provided:	Suction Tubing: 3/8" OD x 1/4" ID x 10' Clear PVC Discharge Tubing: 3/8" OD x 1/4" ID x 10' Polyethylene (LLDPE) Suction Strainer: Polypropylene Weight: Ceramic

Output Specifications

Tube Model	Feed Rate		Max Speed	Max Pressure	Max Temperature
	GPH	LPH	RPM	PSI(bar)	°F(°C)
A1-1*	0.001 - 1.09	0.002 - 4.13	65	65 (4.50)	130 (54)
A1-3*	0.003 - 5.60	0.011 - 21.2	65	50 (3.45)	130 (54)
A1-6*	0.001 - 1.35	0.003 - 5.14	65	100 (6.89)	185 (85)
A1-7*	0.0042 - 4.17	0.0158 - 15.8	65	50 (3.45)	185 (85)
A1-8*	0.0031 - 3.09	0.0117 - 11.7	65	50 (3.45)	130 (54)

Dimensions

Dim	Inch	cm	Dim	Inch	cm
A	9"	22.9	D	7.25"	18.5
B	10"	25.2	E	2.5"	6.4
C	7.75"	19.6			



FLEXFLO® Model Number

A1	FLEXFLO® Peristaltic Metering Pump					
Series						
F	Standard Control Methods (Manual, Remote, FVS)					
V	4-20mA Input, In Addition to Standard Control Methods (Manual, Remote, FVS)					
Power Cord (Operating voltage requirement 96VAC to 264VAC)						
4	115V 50/60Hz, power cord NEMA 5/15 plug (US)	8	240V 50/60Hz, power cord AS 3112 plug (AU/New Zealand)			
5	230V 50/60Hz, power cord NEMA 6/15 plug (US)	9	230V 50/60Hz, power cord BS 1363/A plug (UK)			
6	220V 50/60Hz, power cord CEE 7/V11 plug (EU)					
Pump Tube Size and Material						
1	1/4" OD Flex-A-Thane®					
3	7/16" OD Flex-A-Thane®					
6	3/8" OD Flex-A-Prene®					
7	7/16" OD Flex-A-Prene®					
8	7/16" OD Flex-A-Chem®					
Inlet/Outlet Connection Size, Connection Type						
T	3/8" OD x 1/4" Tube Compression Fitting					
M	1/2" Male NPT Fitting					
A1	F	4	-	6	T	Sample Model Number

Accessories



NOTE: Accessories sold separately.

*KIT-M12-3 THREE M12 CABLES

P.N. 85000-152 A1 REV 1 20210823

4 5300 Business Drive, Huntington Beach, CA 92649
TEL 714-893-8529 | FAX 714-894-9492 | www.blue-white.com | sales@blue-white.com