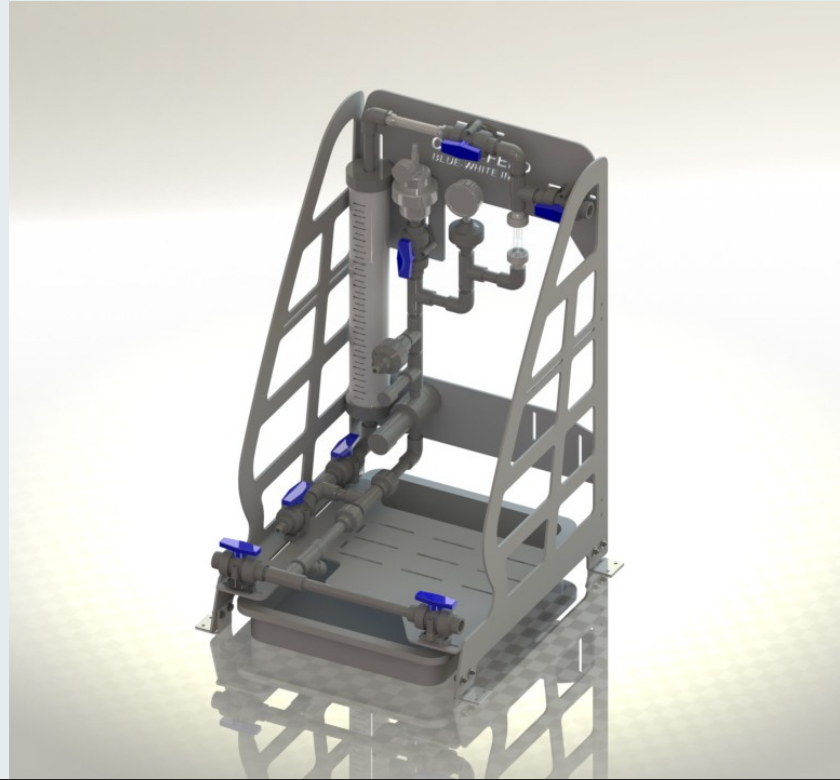


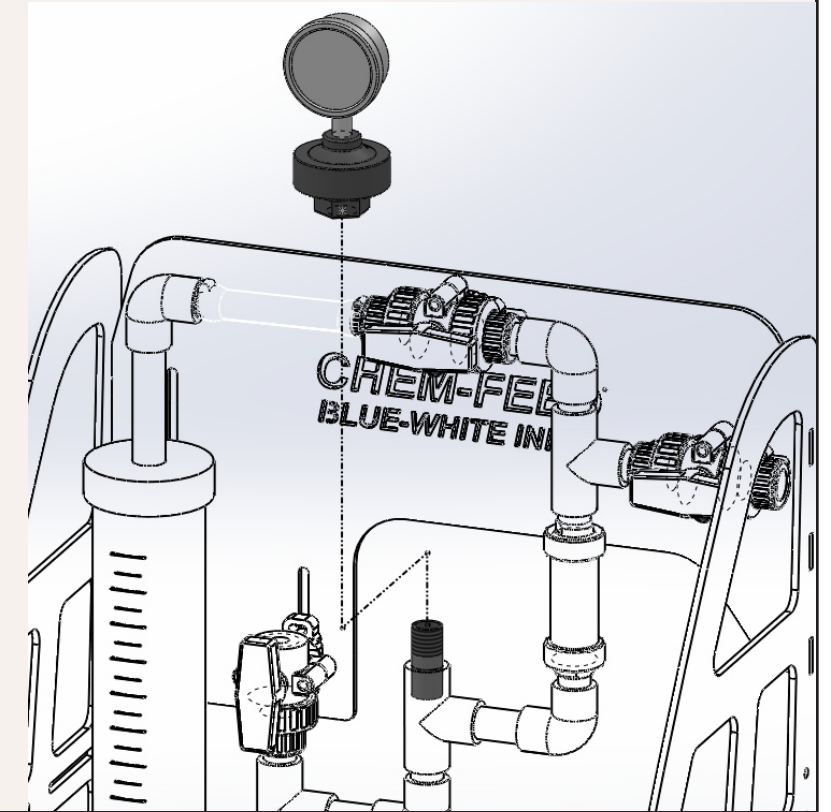
1 Location

- Choose an area located near chemical supply tank, chemical injection point, and electrical supply
- Mount Pump to the skid using enclosed mounting hardware



2 Installing Gauge Guard

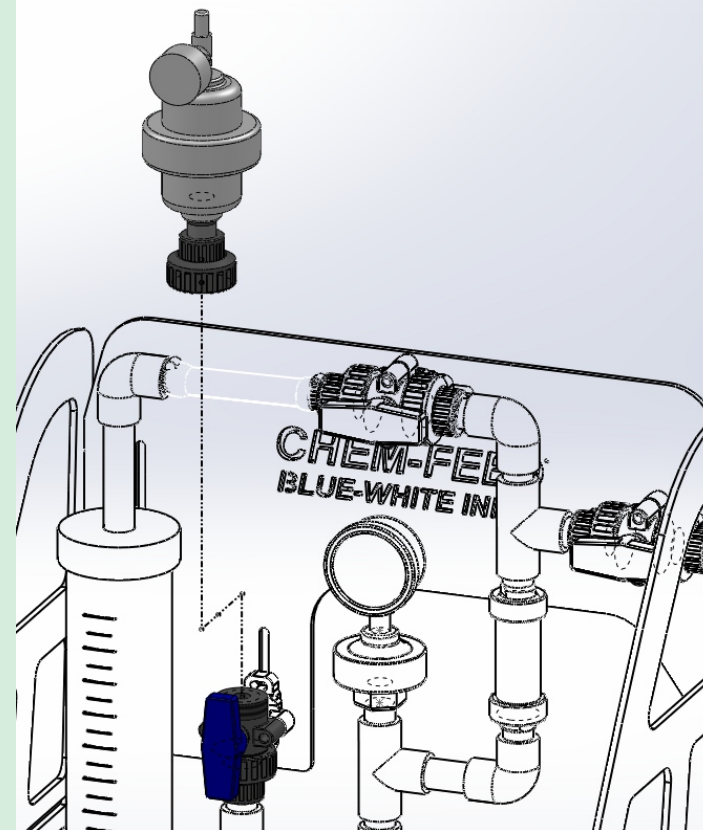
- Before installing gauge guard, PTFE (or similar) thread tape should be used on the male NPT to assure a seal.
- **DO NOT** over tighten or use pipe wrenches on plastic pipe components



3 Installing Pulsation Dampener

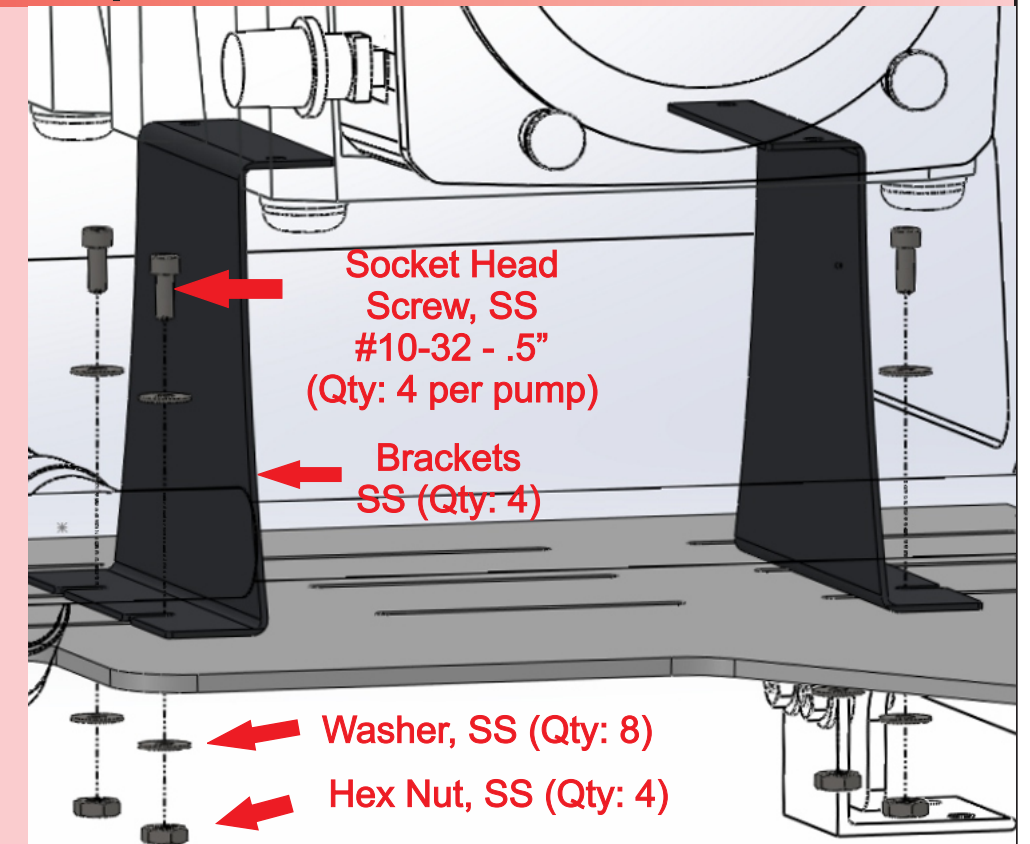
Optional Item

- Remove all pressure from skid system prior to dampener installation.
- Install dampener before charging or pressurizing.
- **DO NOT** start system without first charging or pressuring dampener.
- Always wear safety glasses and other appropriate safety equipment when installing, charging or repairing dampener.



4 Installing Pump

- Mount pump to skid using enclosed hardware.



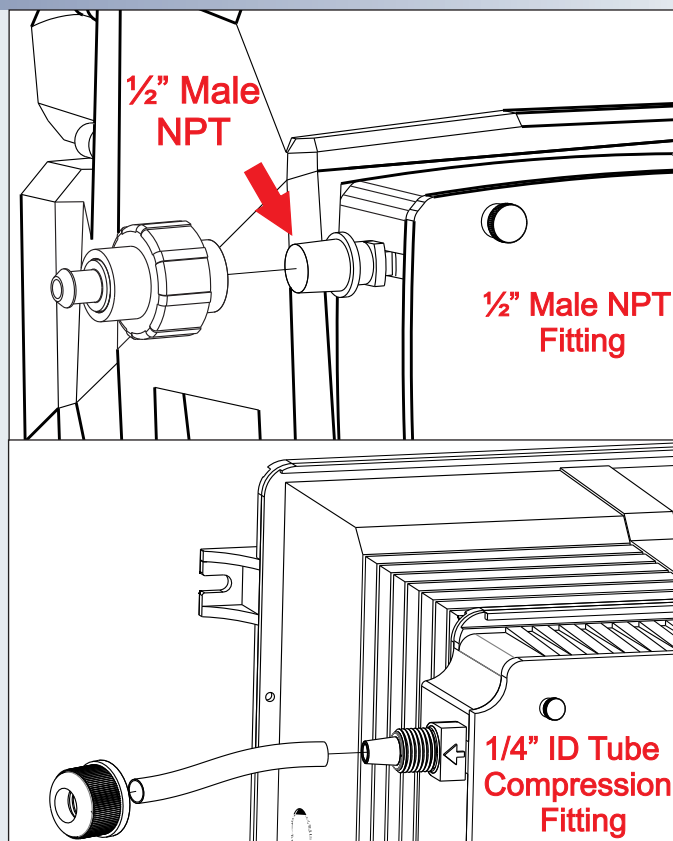
5 Installing pump wetted end connections

ProSeries

- PTFE thread tape should be used on the male NPT to assure a seal before the union is installed.
- Screw Spears unions to the inlet and outlet of the pump.

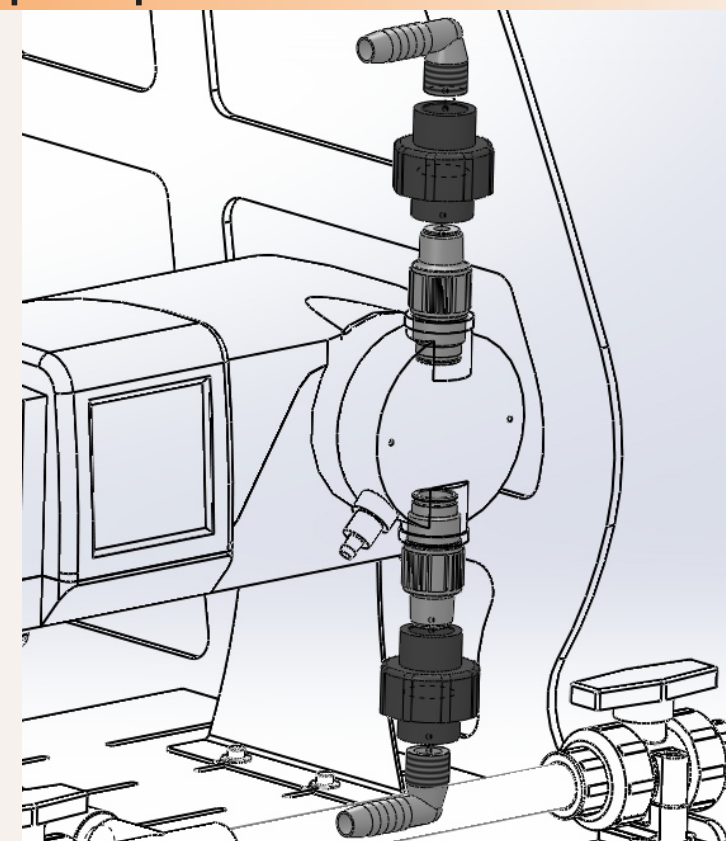
A-100N

- Remove the tube nut. Push the opaque outlet (discharge) tubing onto the compression barb of the fitting. Use the tube nut to secure the tube. **Hand tighten only.**



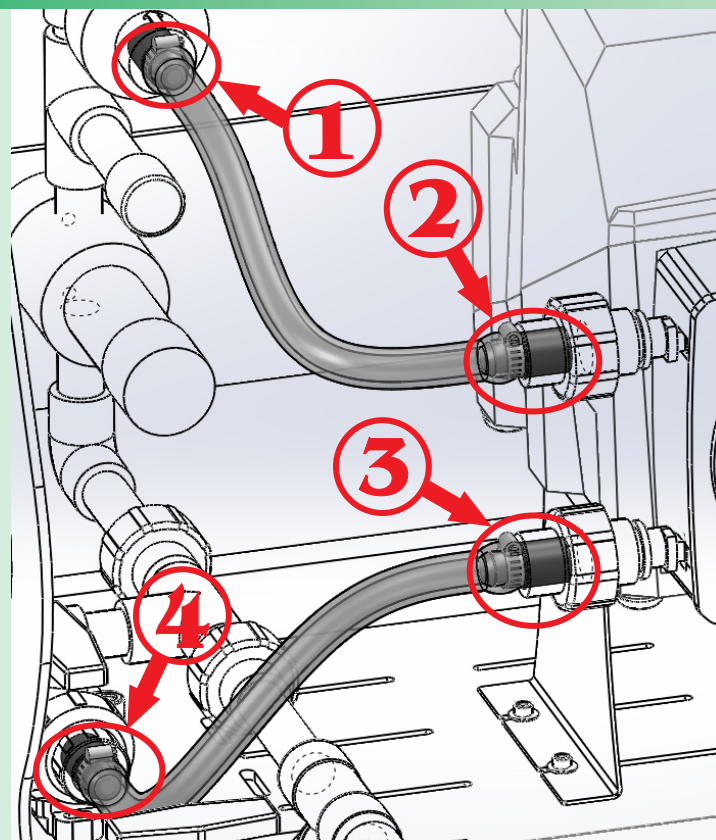
6 Installing diaphragm pump wetted connections

- Attach in spears 1/2" NPT unions onto the inlet and outlet fittings of the pump.
- Attach the hose barb adapters as shown



7 Installing system wetted connections

- Connect tubing and clamps to the pump system as shown.
- Tighten each clamp at each location shown with a flat head screwdriver to assure a seal



8 Start up check list.

- Set PRV (Pressure Relief Valve) to desired cracking pressure for your system. Refer to the included PRV instruction manual.
- Make sure all connections are tight to ensure that the pump will prime.
- Check all ball valve positions to ensure chemical will flow through properly.
- Proper eye and skin protection must be worn when installing and servicing pump.