

F-461

Variable Area Flow Meter



Features

- > Polysulfone body resists high temperatures and pressures
- > Ultrapure - No metal in fluid path
- > Indoor use only
- > Full scale accuracy +/- 2.5%
- > PTFE float for corrosive applications

Highlights

Flow range

1.0 - 35.0 GPM
4.0 - 130 LPM

Pressures up to

150 PSI
(10.3 bar)

Max. fluid temp.

210 °F / 98 °C (PVDF)
130 °F / 54 °C (PVC)

Body

Polysulfone

Adapters

1.0" F/NPT
32mm PVC slip

Warranty

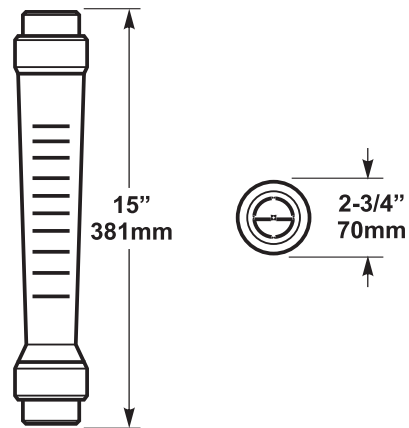
1 Year



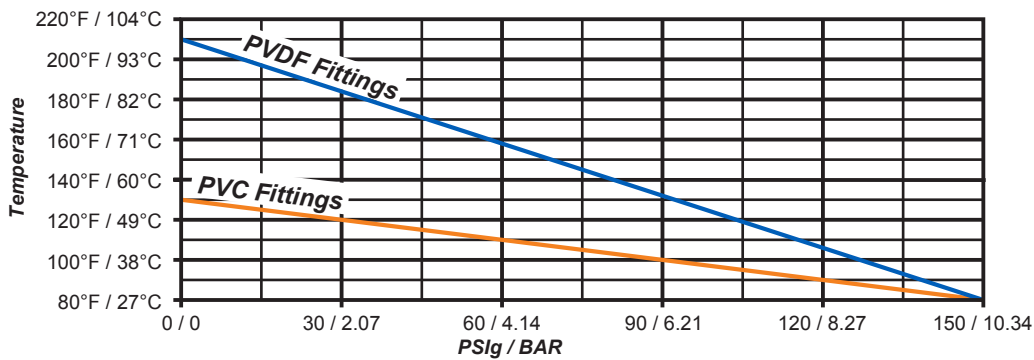
Maximum Working Pressure	150 PSI (10.3 bar) @ 70 °F (21 °C)
Maximum Fluid Temperature	PVC adapters: @ 0 Bar PVDF adapters: 98 °C (210 °F) @ 0 Bar
Full Scale Accuracy	+/- 2.5%
Calibration Fluid	water, specific gravity 1.0
Scale Length	5" (127mm)
Environment	Not for direct sunlight exposure
Maximum Pressure Drop	2 PSI
Approximate Shipping Weight	3 lb. (1.4 kg)

Dimensions

Dim	Inch	cm
A	15"	38.1
B	2-3/4"	7.0



Maximum Temperature vs. Pressure



Non-wetted Components:

Union Nuts	Anodized aluminum (optional PVC)
-------------------	----------------------------------

Wetted Components:

Meter Body	Polysulfone
-------------------	-------------

Adapters	PVC (optional PVDF)
-----------------	---------------------

O-ring Seals	Viton®
---------------------	--------

Float	PTFE
--------------	------

Float Stop	Polysulfone
-------------------	-------------

Output Specifications

Model	Feed Rate		Max Pressure	Max Temperature	Float Material
	GPM	LPM	PSI (bar)	°F (°C)	
F-461100L	1–10	4–40	150 (10.3)	70 (21)	PTFE
F-461200L	2–20	5–75	150 (10.3)	70 (21)	
F-461300L	3–35	12–130	150 (10.3)	70 (21)	

Model Number Matrix

F-461 Model Number

F	Flow Meter						
Series							
	461	F-461 Polysulfone Body					
Scale							
	100	1 - 10 gpm (4 - 40 lpm) Teflon Float					
	200	2 - 20 gpm (5 - 75 lpm) Teflon Float					
	300	3 - 35 gpm (12 - 130 lpm) Teflon Float					
Union							
	LX	Aluminum Union					
	LP	PVC Union					
Adapter							
		16P	1.0" Female NPT, PVC				
		16K	1.0" Female NPT, PVDF				
		19P	32mm Slip, PVC				
F	-	461	100	LX	-	16P	Sample Model Number

*In-house NIST Calibration, OEM packaging, silicone oil free and bulk packaging options are also available.