

Installation Guideline

Please use the following steps to guide you through the installation.

Caution: Follow these tips to avoid failure

Danger: Wear eye protection when installing or removing flowmeter.

STEP 1. Unpack the flowmeter.

- Check for damage while unpacking the flowmeter.
- Be sure the meter is suitable for your application.
- The maximum temperature and pressure is shown on the following page.
- Although the meter may be suitable for other chemicals, Blue-White® meters are tested with water and air only. If you are unsure of the meters compatibility with your chemical, consult the factory.
- Blue-White® guarantees the meter is suitable with air and water only.

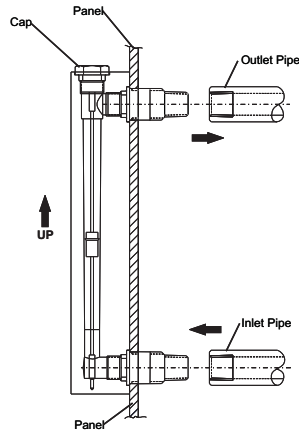
STEP 2. Choose a suitable location for the flowmeter.

- Never allow the flowmeter to support the weight of related pipe or tubing.
- Flowmeter must be installed in plumbing which is free of vibration.
- Flowmeter must be installed in an exact vertical plane to ensure accuracy.
- *Valves* - Avoid a system that will impose a sudden burst of flow (water hammer) to the meter. Such a burst will cause the float to impact the float stop with destructive force. Magnetic, solenoid, ball, or other quick opening valves cannot be used unless the meter is protected against sudden bursts of flow.
- *Do not exceed* maximum working pressure (see Temperature vs. Pressure chart on next page).

STEP 3. Connecting the flowmeter to the plumbing.

- Use an appropriate amount of PTFE (or similar) tape on external pipe threads before making connections.
- Acrylic and other exotic plastics cannot tolerate PVC Glue and/or pipe dope. Even fumes can cause crazing. If you are installing your flowmeter to a glued pipe configuration, install flowmeter *after* all glued fittings are dried and lines are purged of all fumes.
- The meter adapters are provided with wrench flats. Prevent the meter adapters from rotating while attaching the inlet and outlet plumbing. Be careful not to damage the plastic threads.

Blue-White®
Industries, Ltd.



Installation Guideline

Please use the following steps to guide you through the installation.

Caution: Follow these tips to avoid failure

Danger: Wear eye protection when installing or removing flowmeter.

STEP 1. Unpack the flowmeter.

- Check for damage while unpacking the flowmeter.
- Be sure the meter is suitable for your application.
- The maximum temperature and pressure is shown on the following page.
- Although the meter may be suitable for other chemicals, Blue-White® meters are tested with water and air only. If you are unsure of the meters compatibility with your chemical, consult the factory.
- Blue-White® guarantees the meter is suitable with air and water only.

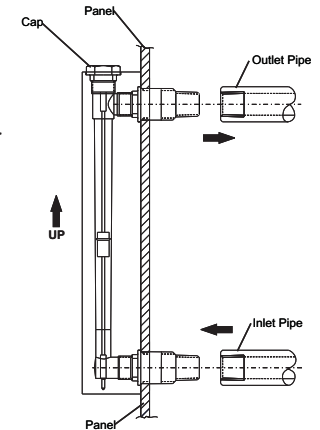
STEP 2. Choose a suitable location for the flowmeter.

- Never allow the flowmeter to support the weight of related pipe or tubing.
- Flowmeter must be installed in plumbing which is free of vibration.
- Flowmeter must be installed in an exact vertical plane to ensure accuracy.
- *Valves* - Avoid a system that will impose a sudden burst of flow (water hammer) to the meter. Such a burst will cause the float to impact the float stop with destructive force. Magnetic, solenoid, ball, or other quick opening valves cannot be used unless the meter is protected against sudden bursts of flow.
- *Do not exceed* maximum working pressure (see Temperature vs. Pressure chart on next page).

STEP 3. Connecting the flowmeter to the plumbing.

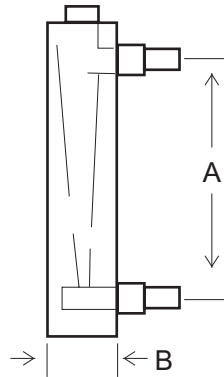
- Use an appropriate amount of PTFE (or similar) tape on external pipe threads before making connections.
- Acrylic and other exotic plastics cannot tolerate PVC Glue and/or pipe dope. Even fumes can cause crazing. If you are installing your flowmeter to a glued pipe configuration, install flowmeter *after* all glued fittings are dried and lines are purged of all fumes.
- The meter adapters are provided with wrench flats. Prevent the meter adapters from rotating while attaching the inlet and outlet plumbing. Be careful not to damage the plastic threads.

Blue-White®
Industries, Ltd.

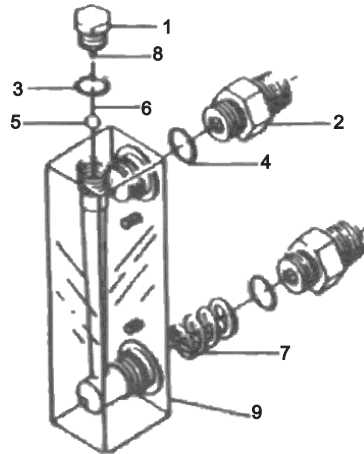


F-500E Panel Mount Flowmeter

DIMENSIONS	A	B
F-501E	3"	1-1/4"
F-502E	3"	1-1/4"
F-503E	3"	1-1/4"
F-504E	3"	1-1/4"
F-505E	3"	1-1/4"
F-506E	3"	1-1/4"
F-506E	3"	1-1/4"
F-507E	3"	1-1/4"
F-508E	3"	1-1/4"
F-509E	3"	1-1/4"
F-510E	3"	1-1/4"
F-511E	3"	1-1/4"
F-512E	3"	1-1/4"
F-513E	3"	1-1/4"
F-514E	3"	1-1/4"

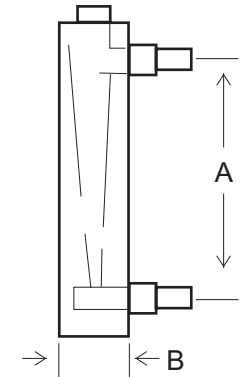


Parts	Qty.
1. Cap	1
2. Adapter	2
3. O-ring seal cap	1
4. O-ring seal adapter	2
5. Float	1
6. Guide Wire 505E-510E	1
7. Spring	1
Except 505E-510E	
8. Float stop 505E	2
9. Meter body	1



F-500E Panel Mount Flowmeter

DIMENSIONS	A	B
F-501E	3"	1-1/4"
F-502E	3"	1-1/4"
F-503E	3"	1-1/4"
F-504E	3"	1-1/4"
F-505E	3"	1-1/4"
F-506E	3"	1-1/4"
F-506E	3"	1-1/4"
F-507E	3"	1-1/4"
F-508E	3"	1-1/4"
F-509E	3"	1-1/4"
F-510E	3"	1-1/4"
F-511E	3"	1-1/4"
F-512E	3"	1-1/4"
F-513E	3"	1-1/4"
F-514E	3"	1-1/4"



Parts	Qty.
1. Cap	1
2. Adapter	2
3. O-ring	1
4. O-ring	2
5. Float	1
6. Guide Wire 505E-510E	1
7. Spring	1
Except 505E-510E	
8. Float stop 505E	2
9. Meter body	1

