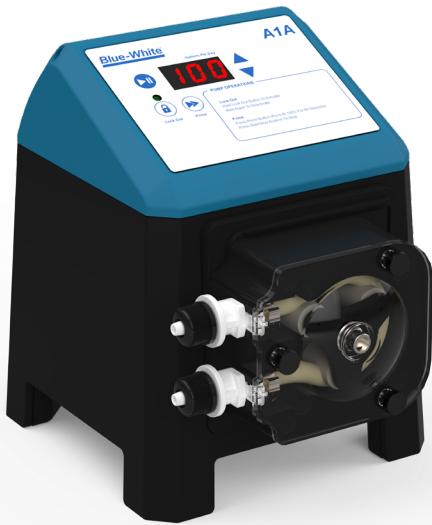



# A1A

## FLEXFLO® Peristaltic Metering Pump



### Features

- > Specially designed for pools, spas, and water parks
- > Self priming peristaltic metering pump delivers smooth chemical feed
- > Patented Tube Failure Detection (TFD) system senses tube failure
- > Easily adjustable flow rate from .01 to 100 gpd

Video link: 



**NEMA 4X**

### Highlights

**Flow range**

.01 - 100 GPD  
.01 - 15.8 LPH

**Pressures**

40 PSI  
(2.76 bar)

**Turndown ratio**

10,000 : 1

**Exclusive**

Tube Failure Detection (TFD)

**Motor**

Brushless DC Motor

**Warranty**

2 Years

### Control Methods

Control Methods	Manual Control	Prime Key	Lockout Key
A1A	•	•	•

Note: A1A pumps manufactured after 1/5/2026 no longer contain remote start/stop and alarm output features.



# Engineering Specifications

A1A

<b>Maximum Working Pressure (excluding pump tubes)</b>	40 psig (2.76 bar) <b>NOTE:</b> See individual pump tube assembly maximum pressure ratings.
<b>Maximum Suction Lift</b>	30 ft. of water at sea level (14.7 atm psi)
<b>Ambient Operating Temperature</b>	14 °F to 115 °F (-10 °C to 46 °C)
<b>Ambient Storage Temperature</b>	-40 °F to 158 °F (-40 °C to 70 °C)
<b>Operating Voltage</b>	115V 60Hz 1 PH (0.6A max.)
	220V 50Hz 1 PH (0.3A max.)
	230V 60Hz 1 PH (0.3A max.)
	230V 50Hz 1 PH (0.3A max.)
	240V 50Hz 1 PH (0.3A max.)
<b>Power Cord Options</b>	115V 50/60Hz = NEMA 5/15 (USA)
	230V 50/60Hz = NEMA 6/15 (USA)
	220V 50/60Hz = CEE 7/VII (EU)
	240V 50/60Hz = AS 3112 (Australia/New Zealand)
	230V 50/60Hz = 1363/A (United Kingdom)
<b>Motor</b>	Brushless DC, 42W
<b>Duty Cycle</b>	Continuous
<b>Flow Range Adjustment</b>	0.01 - 100 GPD (0.01 - 15.8 LPH)
<b>Maximum Overall Dimensions</b>	7.25" W x 9" H x 10" D (18.5 W x 22.9 H x 25.2 D cm)
<b>Product Weight</b>	6 lb. (2.7 Kg)
<b>Approximate Shipping Weight</b>	13 lb. (5.9 Kg)
<b>Approximate Shipping Dimensions</b>	10.5" W x 13.75" H x 11" D (26.7 W x 35 H x 28 D cm)
<b>Enclosure</b>	NEMA 4X, Valox (PBT) & PA12
<b>RoHS Compliant</b>	Yes
<b>Standards</b>	cETLus, CE, <b>NSF50</b>

## Output Specifications

Tube Model	Feed Rate		Max. Speed	Max. Pressure	Max. Temperature
	GPD	LPH	RPM	PSI (bar)	°F (°C)
A1-7	0.01 - 100	0.01 - 15.8	65	40 (2.76)	185 (85)

# Materials of Construction

A1A

## Non-wetted Components:

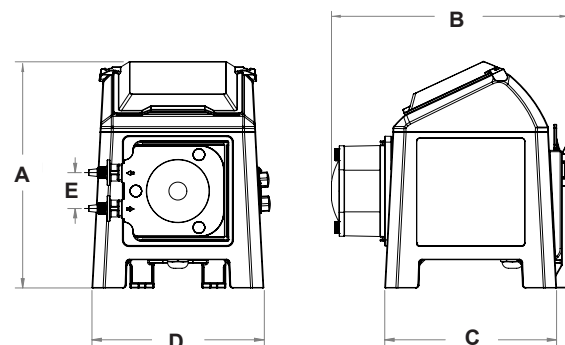
<b>Enclosure:</b>	Valox® (PBT) & PA12 thermoplastic
<b>Pump Head:</b>	Valox® (PBT) thermoplastic
<b>Pump Head Cover:</b>	Polycarbonate Permanently lubricated sealed motor shaft support bronze sleeve bearing.
<b>Cover Screws:</b>	Stainless steel, polypropylene cap
<b>Roller Assembly:</b>	Rotor: Valox® (PBT) Rollers: Nylon Roller Bearings: Bronze
<b>TFD System Sensor:</b>	Hastelloy C-276
<b>Power Cord:</b>	3 Conductor, SJTW-A water-resistant
<b>Mounting Brackets and Hardware:</b>	316 Stainless steel screws, GF Nylon bracket

## Wetted Components:

<b>Pump Head Assembly:</b>	Tubing: Flex-A-Prene® Adapter Fittings: PVDF Body & Insert: Polypropylene Check Ball: Ceramic
<b>Injection / Back-Flow Check Valve:</b>	Spring: Hastelloy C-276 Ball Seat O-Ring: TFE/P Static Seal O-Ring: FKM
<b>Ancillary Items Provided:</b>	Suction Tubing: 3/8" OD x 1/4" ID x 10' Clear PVC Discharge Tubing: 3/8" OD x 1/4" ID x 10' Polyethylene (LLDPE) Suction Strainer: Polypropylene Weight: Ceramic

# Dimensions

Dim	Inch	cm	Dim	Inch	cm
A	9.46"	24.02	D	7.18"	18.23
B	9.92"	25.19	E	1.5"	3.81
C	7.18"	18.23			






## FLEXFLO® Model Number

<b>A1A</b> FLEXFLO® Peristaltic Metering Pump				
<b>Power Cord</b>				
<b>4</b>	115V 50/60Hz, power cord NEMA 5/15 plug (US) (detachable - 3.9 ft)			
<b>6</b>	220V 50/60Hz, power cord CEE 7/V11 plug (EU) (detachable - 6 ft)			
<b>X</b>	No Power Cord (Power cord is required - See Accessories for power cord options)			
<b>Pump Tube Material, Pump Tube Size, Operating Flow Range</b>				
<b>7T</b>	Flex-A-Prene® .250 ID   .01–100 GPD   40 PSI			
<b>A1A</b>	<b>4</b>	<b>-</b>	<b>7T</b>	<b>Sample Model Number</b>

## Accessories

 <p><b>KIT-S07</b> STAR III 7 GALLON TANK, PP</p>	 <p><b>KIT-S15</b> STAR III 15 GALLON TANK, PP</p>	 <p><b>KIT-S30</b> STAR III 30 GALLON TANK, PP</p>	 <p><b>KIT-PSM</b> WALL MOUNT BRACKET, HDPE</p>
---	--	---	---

<p>90010-716 115V/60Hz NEMA 5/15, 3.9'            90010-664 220V/50Hz CEE 7/V11            90010-665 230V/50Hz BS 1363/A            90010-666 240V/50Hz AS 3112            90010-696 230V/60Hz NEMA 6/15            90010-821 115V Lockable</p> <p><b>POWER CABLES</b></p>	 <p><b>A1-7T</b> Spare Tube Element</p>
--	--

 <p><b>TI40-6V</b> T.I. INJECTOR, 3/8" OD</p>	 <p><b>A-014NK-6A</b> PVDF INJECTOR</p>	 <p><b>C-340A</b> FOOT VALVE</p>
---	--	--

Visit Accessory Pages for More Options