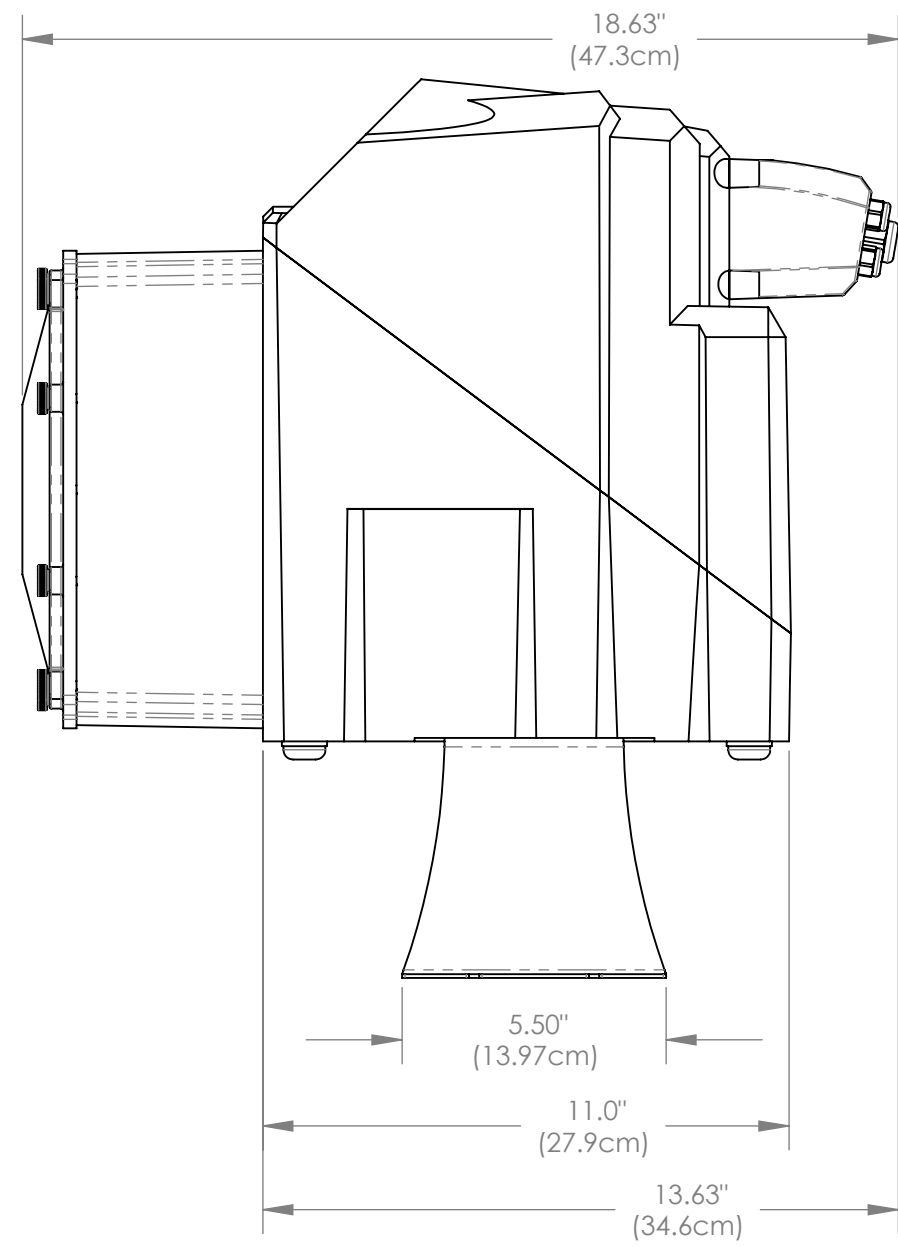
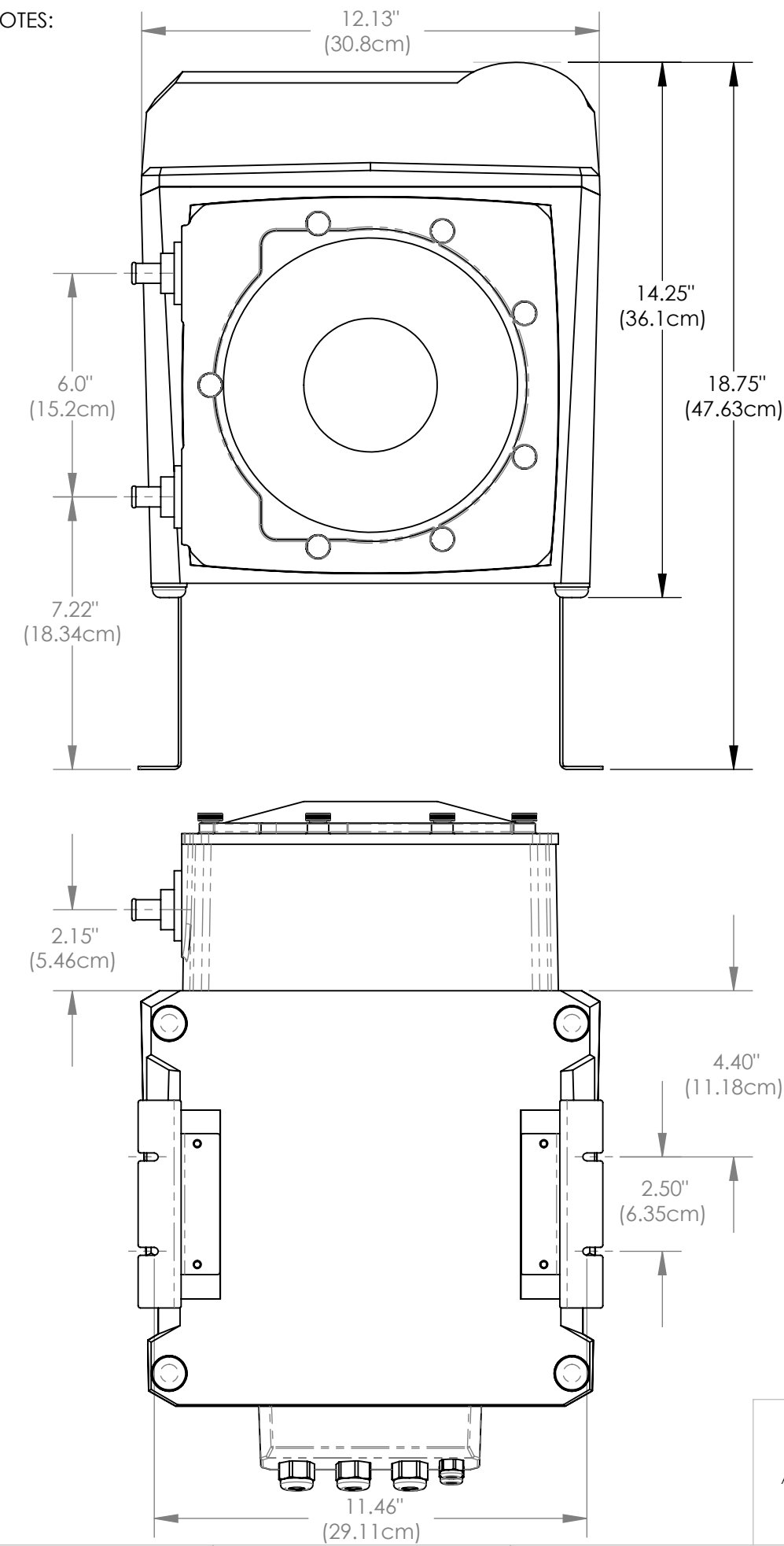


GEN NOTES:  
 1.  
 2.  
 3.



REVISIONS				
ZONE	REV.	DESCRIPTION	DATE	APPROVED

UNLESS OTHERWISE SPECIFIED:  
 DIMENSIONS ARE IN INCHES  
 ALL ANGLES 45°  
 TOLERANCES:  
 FRACTIONAL ±1/64  
 ANGULAR: MACH ±1° BEND ±1°  
 TWO PLACE DECIMAL ±.010  
 THREE PLACE DECIMAL ±.005

	NAME	DATE
DRAWN	REG III	6-8-10
CHECKED		
ENG APPR.		
MFG APPR.		
Q.A.		
COMMENTS:		

**BLUE-WHITE INDUSTRIES**  
 5300 BUSINESS DRIVE HUNTINGTON BEACH CA, 92649

TITLE:  
 Flex-Pro A4, Extended Brackets

SIZE	DWG. NO.	REV
<b>B</b>	CA4_Assem_Cust_Ext	
SCALE: 1:4	WEIGHT:	SHEET 1 OF 1

**PROPRIETARY AND CONFIDENTIAL**  
 THE INFORMATION CONTAINED IN THIS DRAWING IS THE SOLE PROPERTY OF BLUE-WHITE INDUSTRIES. ANY REPRODUCTION IN PART OR AS A WHOLE WITHOUT THE WRITTEN PERMISSION OF BLUE-WHITE INDUSTRIES IS PROHIBITED.

APPLICATION	USED ON
NEXT ASSY	

DO NOT SCALE DRAWING